

THIS DRAWING IS UNPUBLISHED.
DIFFUSION RESTREINTE

RELEASED FOR PUBLICATION
LIBRE A LA DIFFUSION
ALL RIGHTS RESERVED.
TOUS DROITS RESERVES

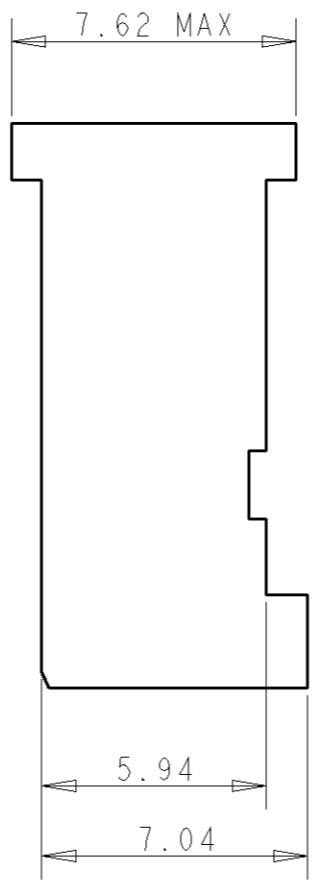
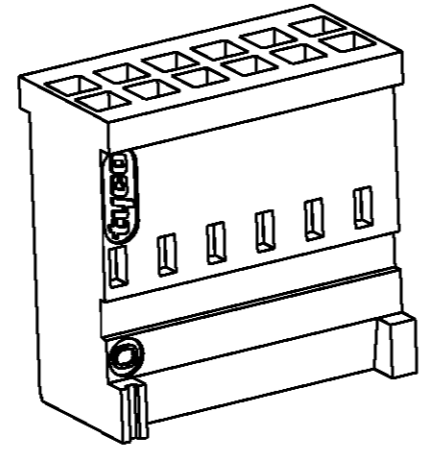
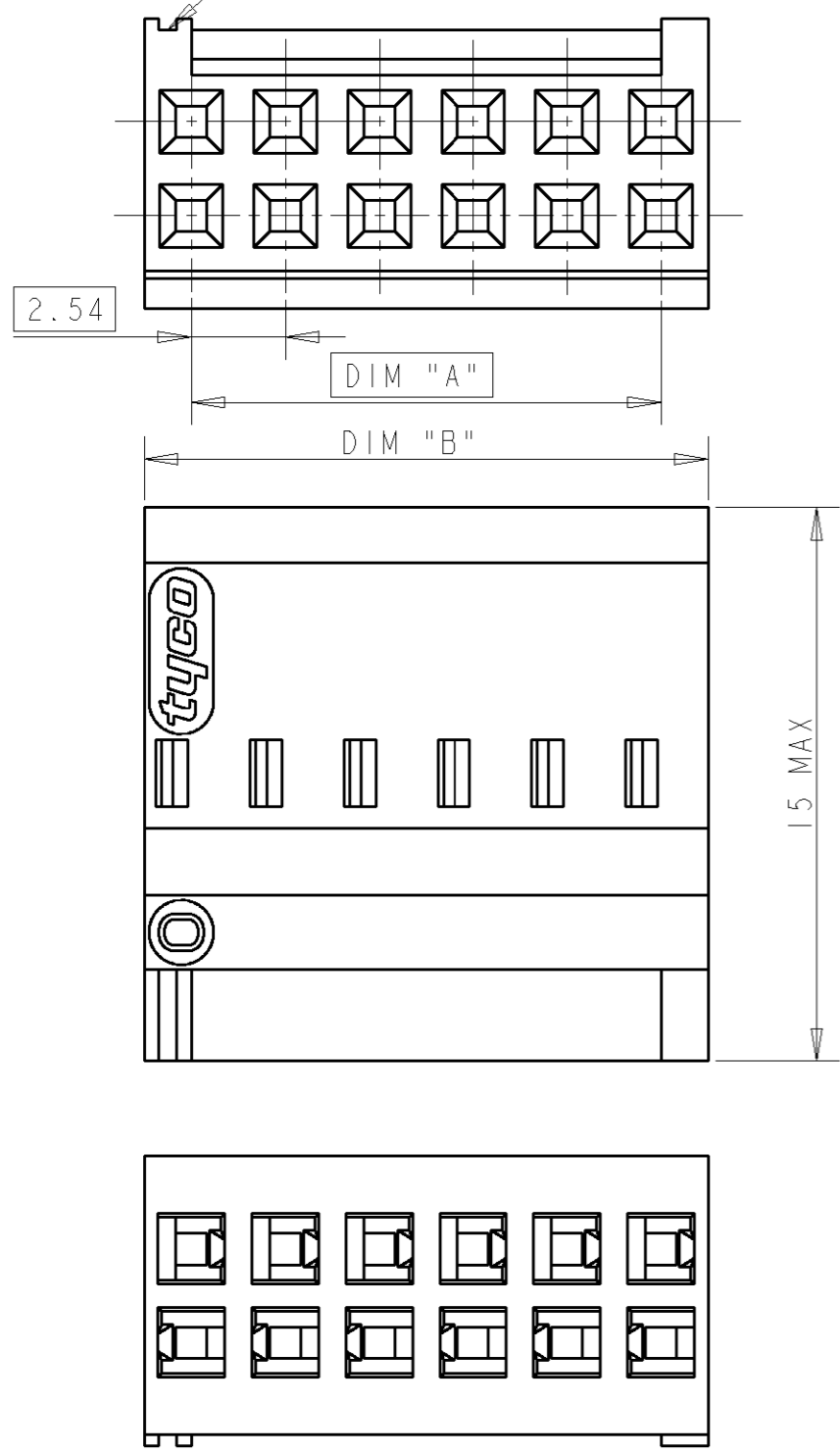
LOC F
DIST 00

REVISIONS

P	LTR REV	DESCRIPTION MODIFICATIONS	DATE	DWN DESS.	APVD APP.
C1		REVISED PER ECO-11-005150	19APR11	RK	HMR

SCALE 3:1

SEE NOTE 2



45.72	43.18	2x18	1-281839-8
38.10	35.56	2x15	1-281839-5
30.48	27.94	2x12	1-281839-2
25.40	22.86	2x10	1-281839-0
22.86	20.32	2x9	0-281839-9
20.32	17.78	2x8	0-281839-8
17.78	15.24	2x7	0-281839-7
15.24	12.70	2x6	0-281839-6
12.70	10.16	2x5	0-281839-5
10.16	7.62	2x4	0-281839-4
7.62	5.08	2x3	0-281839-3
DIM "B"	DIM "A"	NR OF POS.	TE CONNECTIVITY PART NO

NOTES:

- MATERIAL DESCRIPTION: GLASS FILLED PBT, UL 94-V0, COLOR BLUE
- IDENTIFICATION OF CONTACT CAVITY N° 1
- PRODUCT ACCORDING TO IEC 603-8
- ACCEPTS CRIMP CONTACTS 188746-1 O R 188744-1

DIMENSIONS: mm		TOLERANCES UNLESS OTHERWISE SPECIFIED: TOLERANCES NON SPECIFIEES (SUIV NB DE DECIMALES): 0 PLC/DEC: ±0.2 1 PLC/DEC: ±0.2 2 PLC/DEC: ±0.2 3 PLC/DEC: ± 4 PLC/DEC: ± ANGLES ±1°	
MATERIAL /MATIERE		FINISH /FINITION	

STE TE Connectivity

DOUBLE ROW HOUSING FOR HE 13-14 COSI CONTACT

APVD/DESIGNE: T. CORRIOU 22JUL2003
CHK/VERIFIE: Y. PETRONIN 22JUL2003
APVD/APPROUVE: M. FURIO 22JUL2003

NAME/TITRE: -

SIZE FORMAT: A3
CAGE CODE: 00779
DRAWING NO: C-281839

RESTRICTED TO RESERVE A: -

CUSTOMER DRAWING /PLAN CLIENT UNIQUEMENT POUR REFERENCE SCALE/ECHELLE 5:1 SHEET/FEUILLE OF/DE REV C1