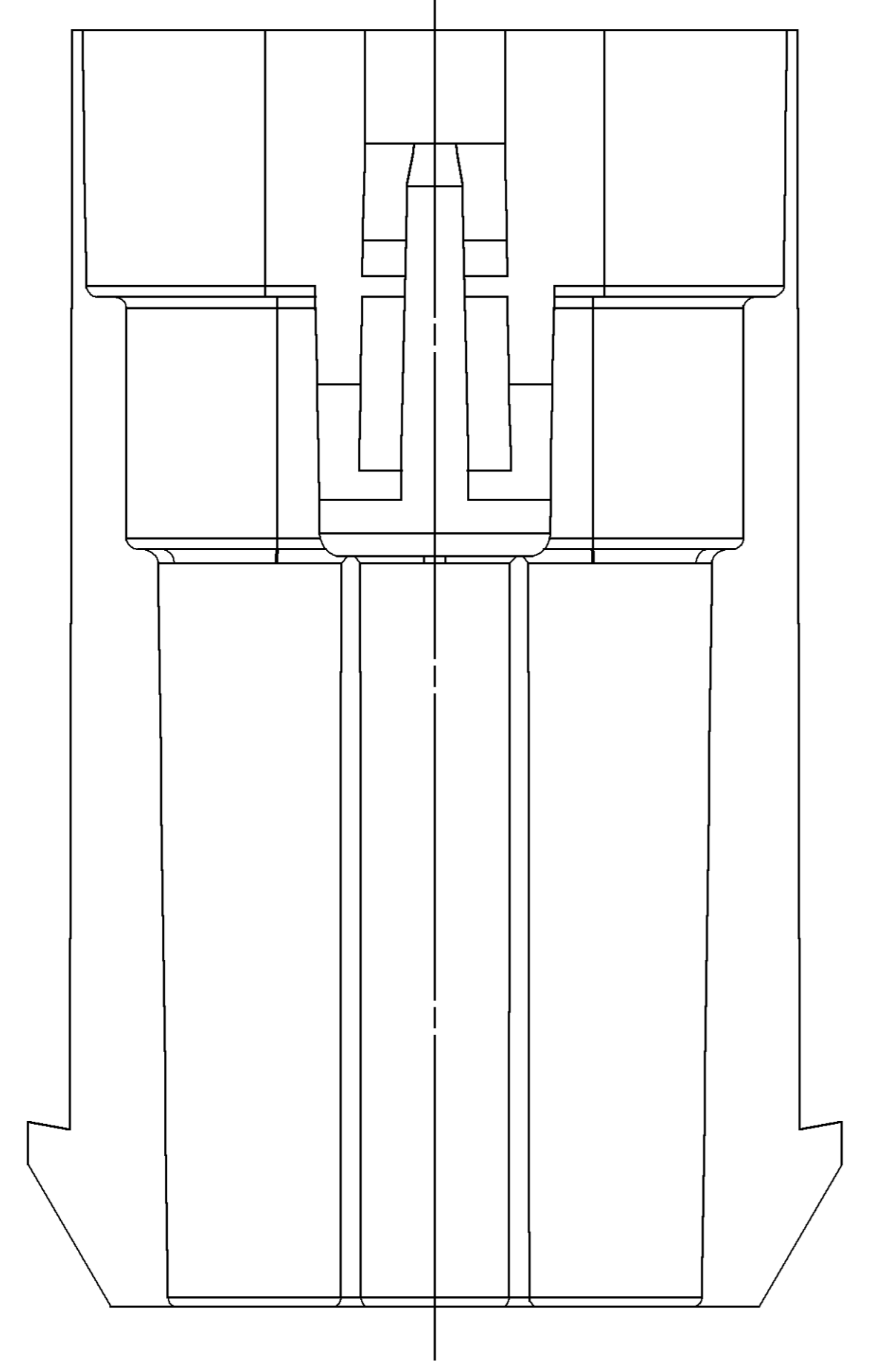
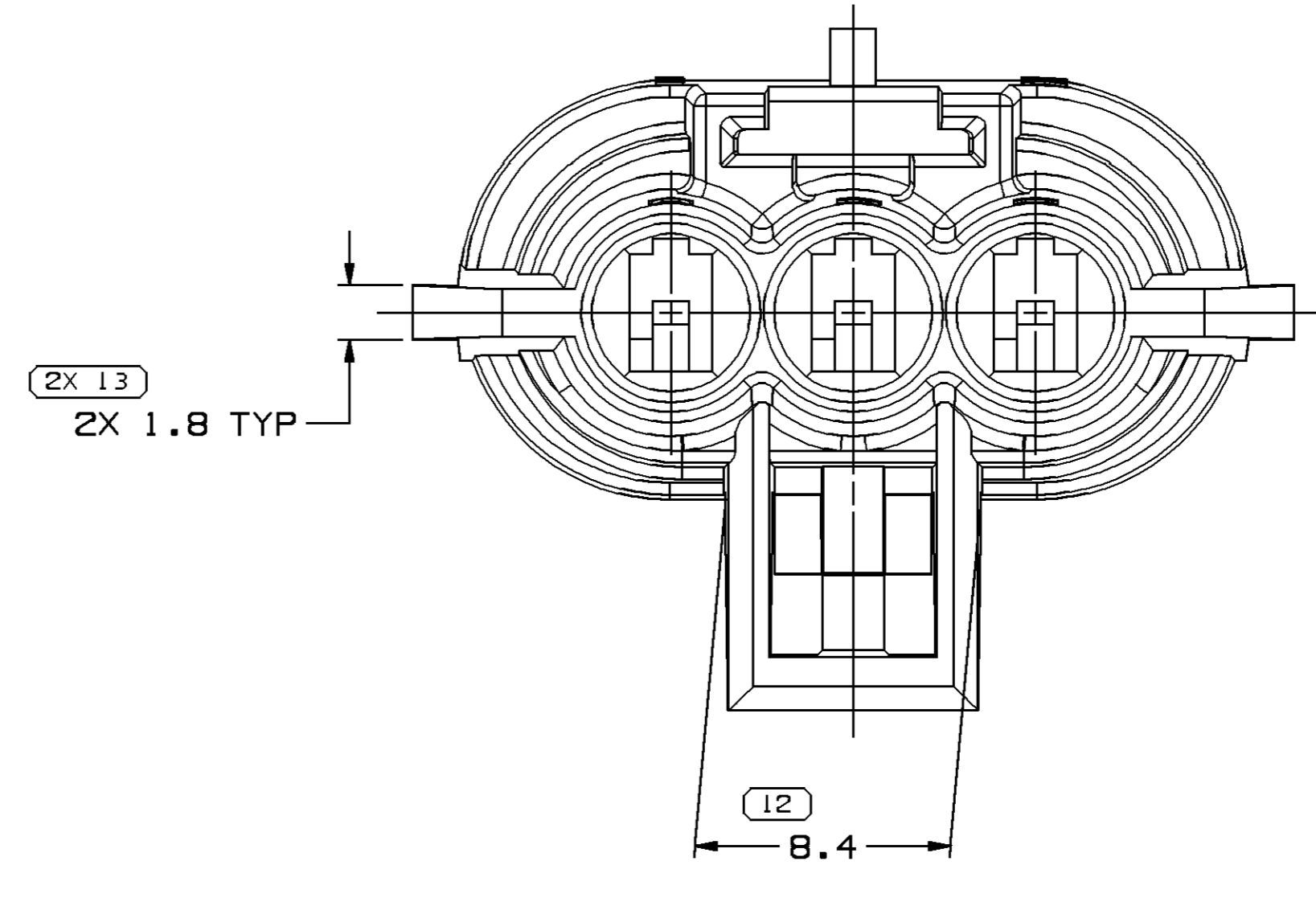
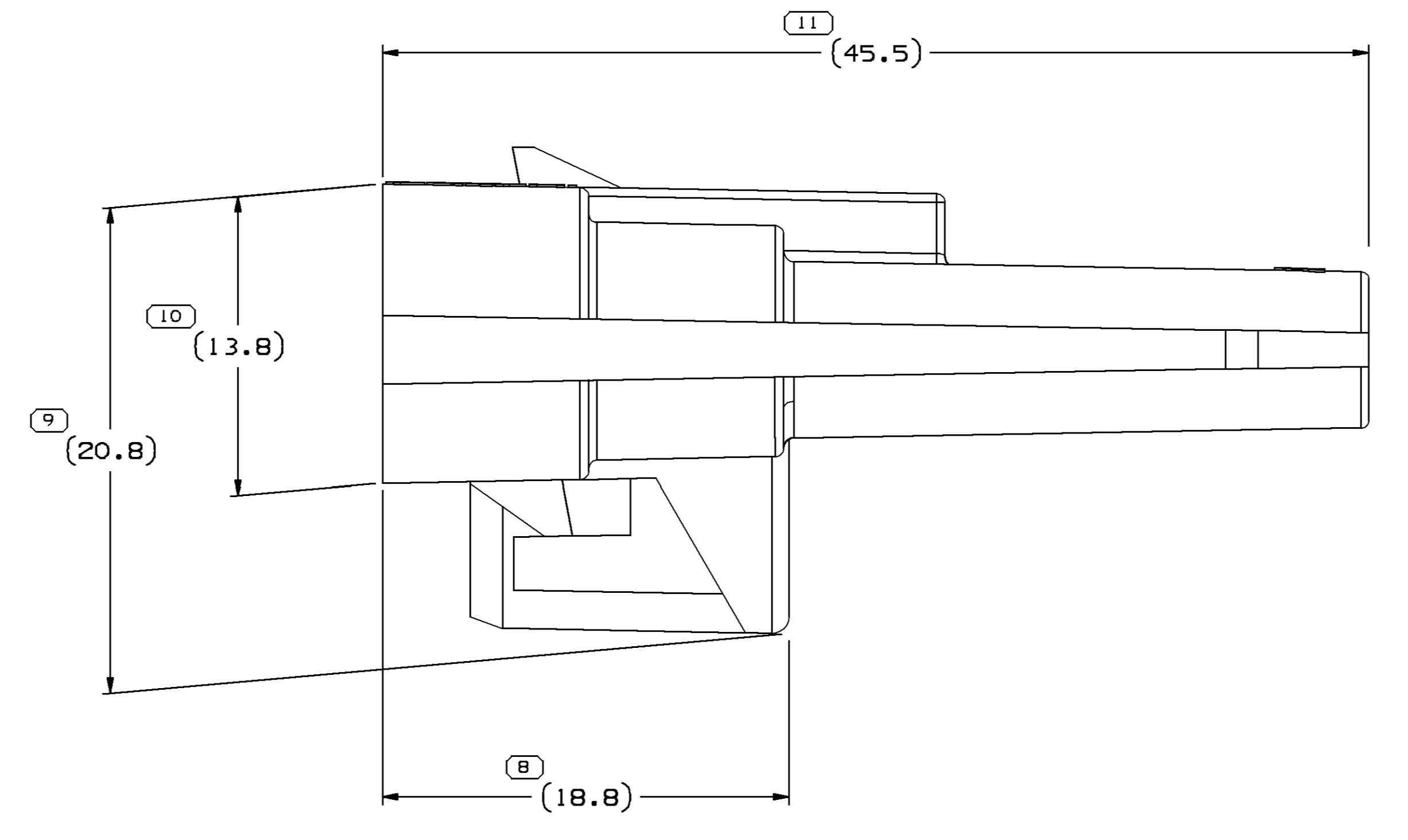
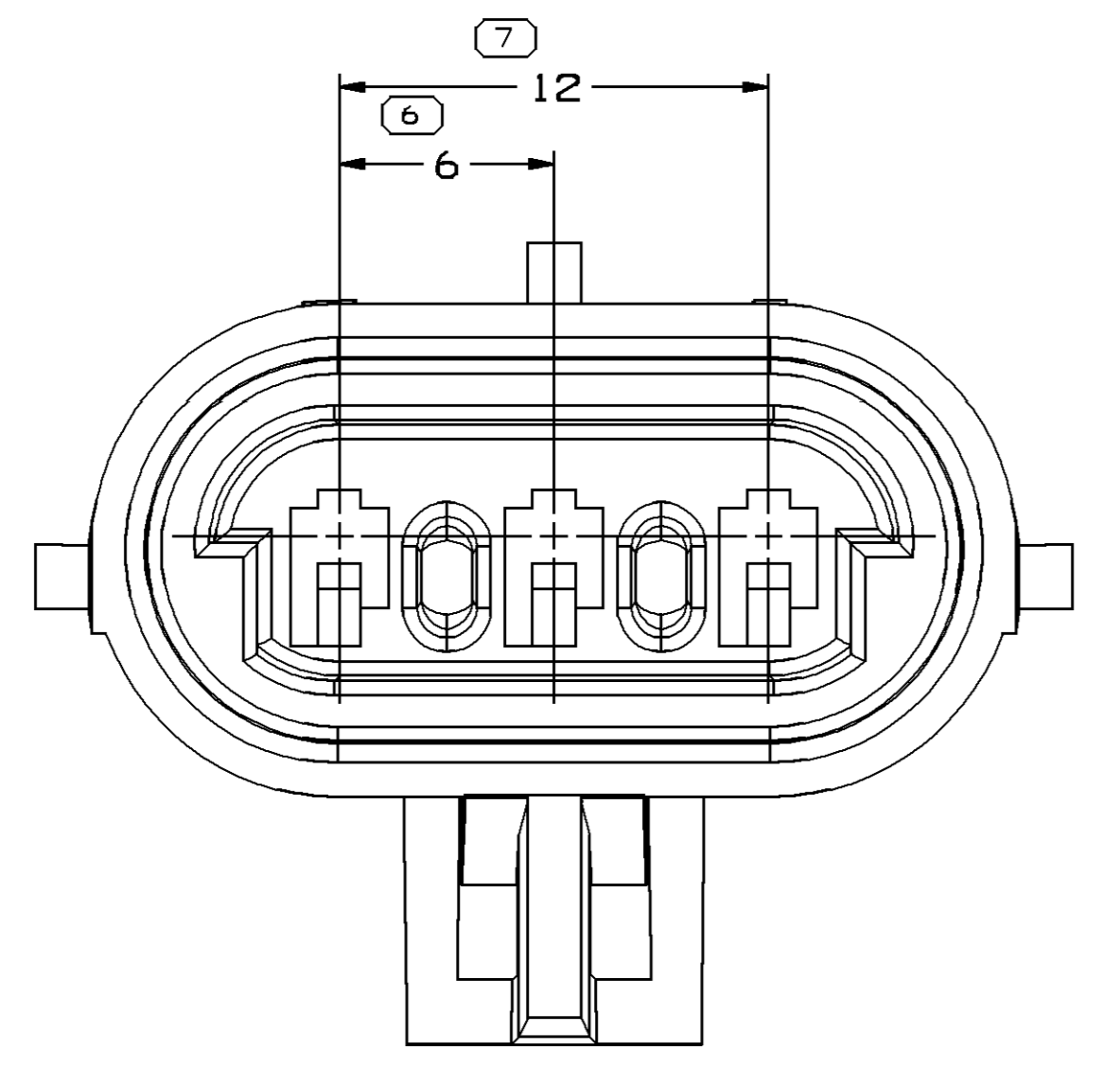
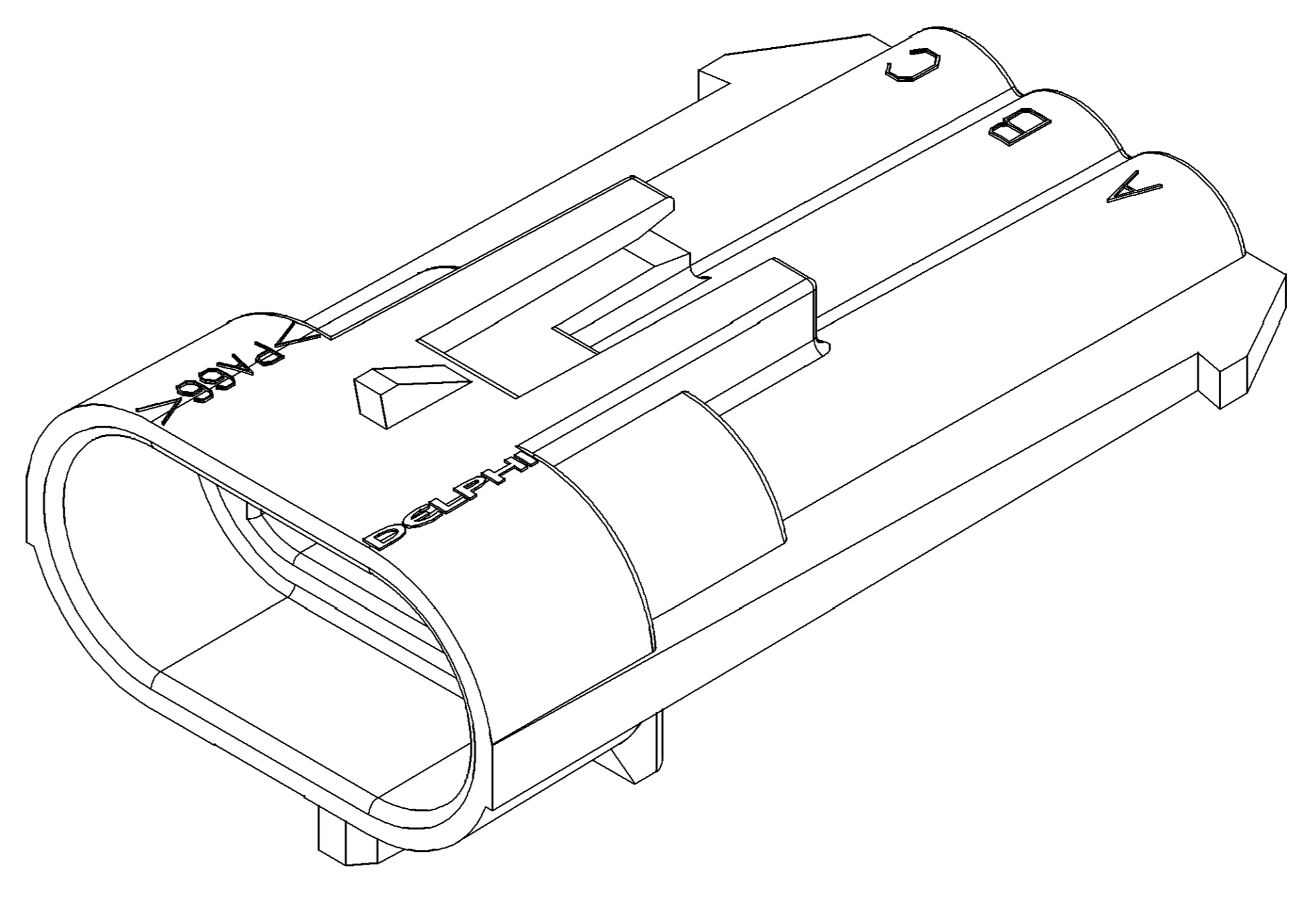
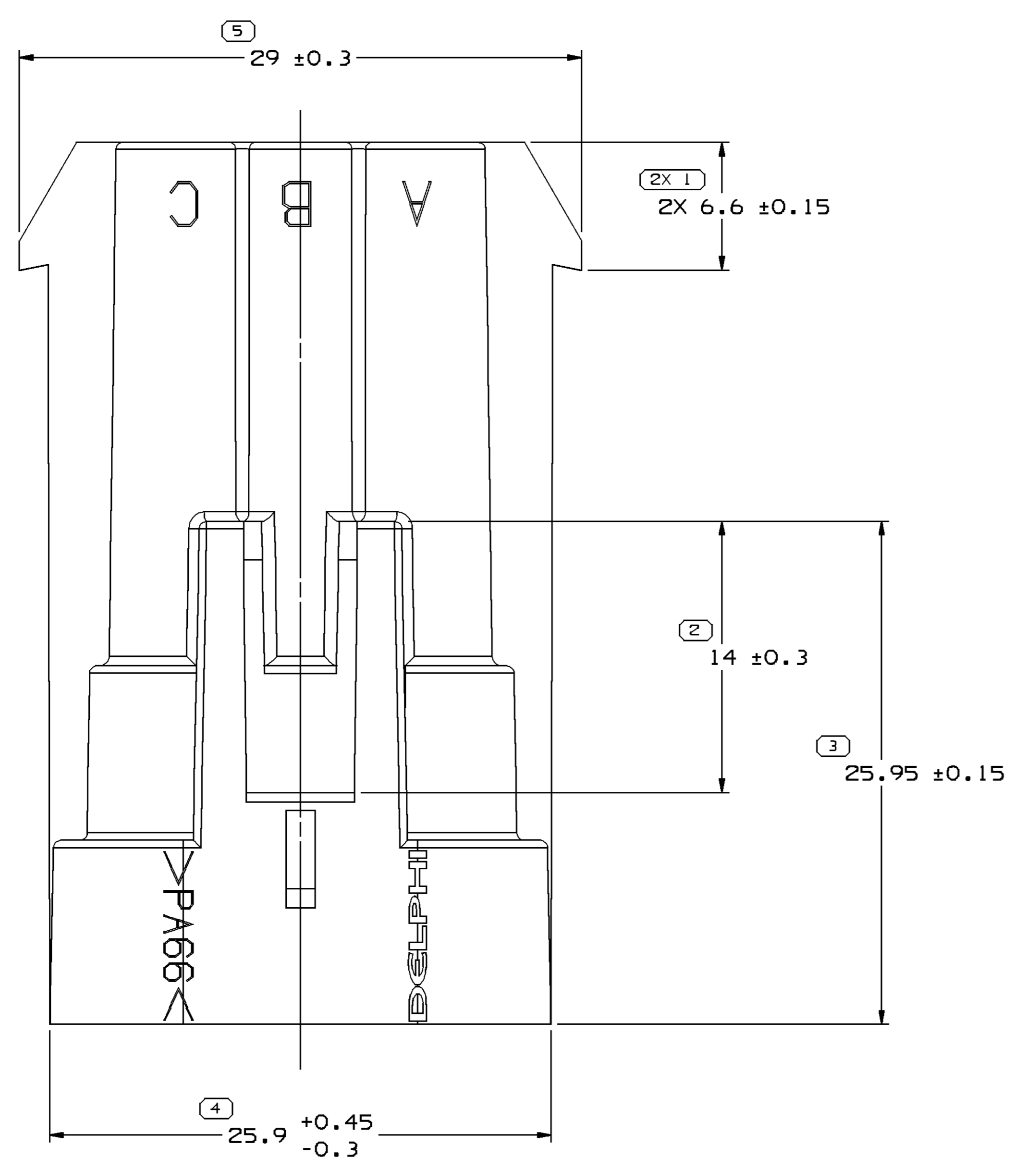


SYMBOL DEFINITION		TOTAL NO OF INSPECTIONS REQUIRED	MISSING SYMBOLS
A DIMENSION WITHOUT AN INSPECTION REPORT SYMBOL DOES NOT REQUIRE INSPECTION. IT MAY BE CONTROLLED ON THE INDIVIDUAL COMPONENT DRAWING.		15	NO MISSING SYMBOL NUMBER
	LAST NO. USED	13	

DWG STATUS				REVISION HISTORY		AUTH	DR	AP/VD
DATE	STG	REV	N/P	CHG	ZONE			
15FE06	R	B2	-	-		CLEARED REV COLUMN, UPDATED TO LATEST U8 STANDARD. MAT'L SPEC WAS R0071754 AND ADDED NOTES 6 & 7	277186	JTZ FRG B06
13SE06	R	B3	-	-		UPDATED PDM ATTRIBUTES	284433	MM MM B06
05DE06	R	B4	-	-		REVISED MODEL TO MATCH PART	287497	RH RH B06



- NOTES**
- UNLESS OTHERWISE SPECIFIED AND/OR INDICATED:
DIMENSIONS ARE TO FACE OF VIEW SHOWN AND AUTOMATICALLY ROUNDED BY COMPUTER FOR INSPECTION (SEE MATH MODEL FOR PRECISE DIMENSIONS). FOR ALL OTHER DIMENSIONS NOT SHOWN BUT REQUIRED FOR TOOL BUILD, SEE MATH MODEL FOR PRECISE TOOL PATH DATA.
 - MAXIMUM CABLE DIAMETER FOR THIS PART IS 2.8 MM.
 - SEALING CODE 3 - DESIGN WILL PASS SALT FOG AND IMMERSION TEST AFTER CONDITIONING AS SPECIFIED IN ESA-644 (WEATHER-PACK), ESA-710 (METRI-PACK), ESA-650 (UNDERHOOD MICRO-PACK), C-4006 (WORLD CONNECTOR), ETC. - WHEN MATED TO MATING PART OR EQUIVALENT
 - THIS PART IS NOT CONTROLLED FOR AUTOMATIC FEEDING.
 - THIS PART ACCEPTS THE FOLLOWING COMPONENTS OR EQUIVALENT: CONNECTOR TO MATE WITH 12110293 CONNECTOR AND SEAL ASSEMBLY CAVITIES TO ACCEPT 12045773 TERMINAL SECONDARY TERMINAL LOCK 12052845 CABLE SEAL 12048086 CONNECTOR POSITION ASSURANCE T-LOCK 12020833 WHEN MATED WITH 12110293 CONNECTOR AND SEAL ASM
 - MATERIAL RECYCLING CODE PER ISO 11469. (1.5)X(0.1) CHARACTERS AS SHOWN TO BE LOCATED ON ANY EXTERIOR SURFACE.
 - (0.9)X(0.1) DELPHI CORPORATE BRAND TO BE LOCATED ON ANY EXTERIOR SURFACE. PREFERABLY VISIBLE AT FINAL ASSEMBLY. OPTIONAL CONSTRUCTION FOR EXISTING TOOLING MAY BE "PED".

DWG TYPE PART DRAWING																			
STYLE																			
VOLUME 10/1 4,970	DISTR CODE D																		
UNLESS OTHERWISE SPECIFIED THIS DOCUMENT IS IN ACCORDANCE WITH ASME Y14.5M-1994 AS MODIFIED BY THE IN-SPEC DRAWING AND TOLERANCE ADDENDUMS. SEPARATE NOTATIONS OF FEATURES MAY BE BASED SEPARATELY PER DELPHI DWTM REFERENCES.																			
ALL DIMENSIONS ARE IN MILLIMETERS																			
REFERENCE 12052844																			
<table border="1"> <thead> <tr> <th>DIMENSIONAL RANGE (MM)</th> <th>SHORT ET</th> </tr> </thead> <tbody> <tr> <td>FROM > 0</td> <td>> 30</td> </tr> <tr> <td>> 30</td> <td>> 70</td> </tr> <tr> <td>> 70</td> <td>> 100</td> </tr> <tr> <td>> 100</td> <td>> 150</td> </tr> <tr> <td>> 150</td> <td>> 200</td> </tr> <tr> <td>> 200</td> <td>> 250</td> </tr> <tr> <td>> 250</td> <td>> 300</td> </tr> <tr> <td>> 300</td> <td>> 400</td> </tr> </tbody> </table>		DIMENSIONAL RANGE (MM)	SHORT ET	FROM > 0	> 30	> 30	> 70	> 70	> 100	> 100	> 150	> 150	> 200	> 200	> 250	> 250	> 300	> 300	> 400
DIMENSIONAL RANGE (MM)	SHORT ET																		
FROM > 0	> 30																		
> 30	> 70																		
> 70	> 100																		
> 100	> 150																		
> 150	> 200																		
> 200	> 250																		
> 250	> 300																		
> 300	> 400																		
DIMENSIONS ENCLOSED IN () INDICATE REFERENCE DIMENSIONS AND NO TOLERANCE LIMITS ARE ESTABLISHED																			
<table border="1"> <thead> <tr> <th>TOLERANCE UNLESS OTHERWISE SPECIFIED</th> <th>ANGULAR TOLERANCE 2C°</th> </tr> </thead> <tbody> <tr> <td>±0.15</td> <td>±1</td> </tr> <tr> <td>±0.2</td> <td>±1.2</td> </tr> <tr> <td>±0.3</td> <td>±1</td> </tr> <tr> <td>±0.4</td> <td>±1</td> </tr> <tr> <td>±0.5</td> <td>±1</td> </tr> <tr> <td>±0.6</td> <td>±1</td> </tr> <tr> <td>±0.8</td> <td>±1</td> </tr> </tbody> </table>		TOLERANCE UNLESS OTHERWISE SPECIFIED	ANGULAR TOLERANCE 2C°	±0.15	±1	±0.2	±1.2	±0.3	±1	±0.4	±1	±0.5	±1	±0.6	±1	±0.8	±1		
TOLERANCE UNLESS OTHERWISE SPECIFIED	ANGULAR TOLERANCE 2C°																		
±0.15	±1																		
±0.2	±1.2																		
±0.3	±1																		
±0.4	±1																		
±0.5	±1																		
±0.6	±1																		
±0.8	±1																		
THIRD ANGLE PROJECTION	DO NOT SCALE																		
USE MATH DATA	UNIMPHIS																		

DELPHI
DELPHI PACKARD ELECTRIC SYSTEMS
WARREN, OH

DR	DATE
APV01 W. H. POEHLER	13FE92
APV02 HENRY HOKE	13FE92
APV03 W. K. CHIN	13FE92
APV04	
APV05	
SUBSTANCES OF CONCERN AND RECYCLED CONTENT PER DELPHI 10949001	
MATERIAL W3592001 P666 HS 1M BLK	
DRAWING NAME CONN 3 M M/P 150 BLK SLD	
DRAWING NUMBER 12129615	
SIZE A0	SCALE 5:1
FRAME NO 1	SHEET NO 1
REV R	N/P B4

Date: 06-04-08 Time: 08:22