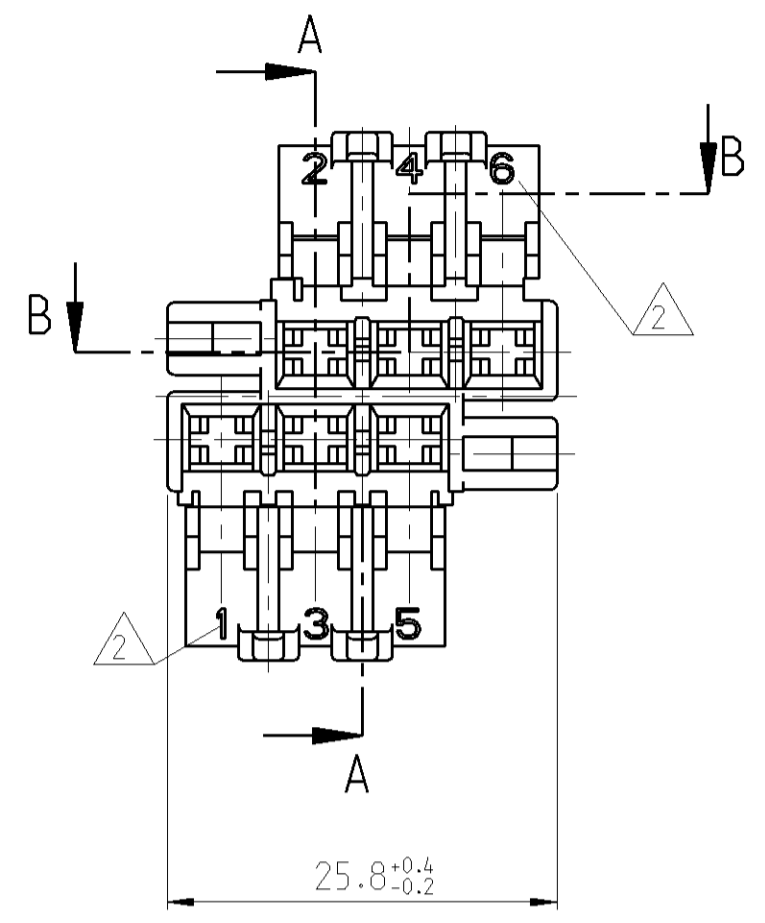
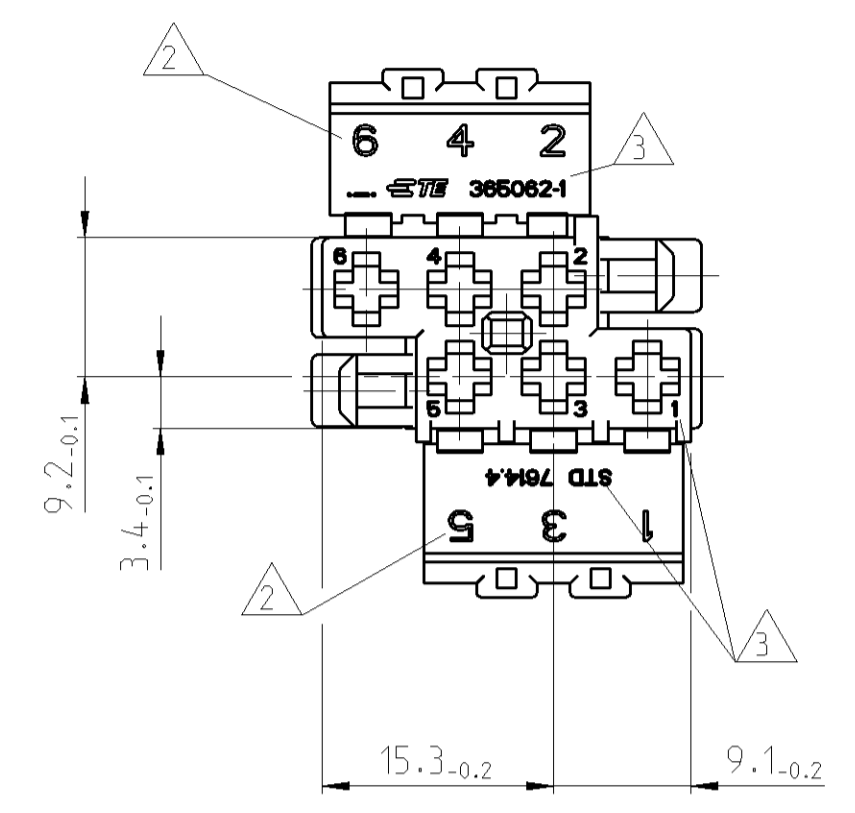
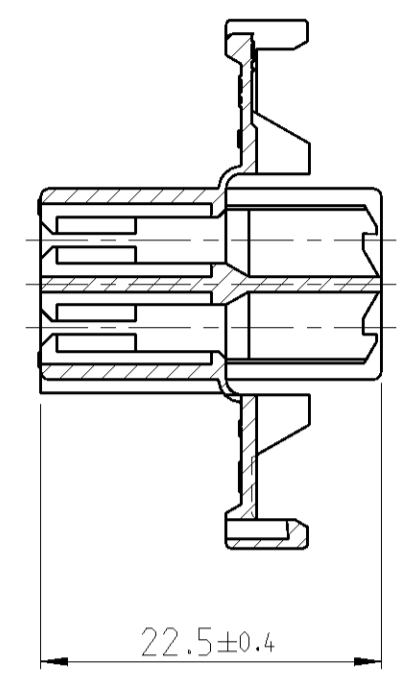


THIS DRAWING IS UNPUBLISHED. RELEASED FOR PUBLICATION 2011
 © COPYRIGHT 2011 ALL RIGHTS RESERVED.

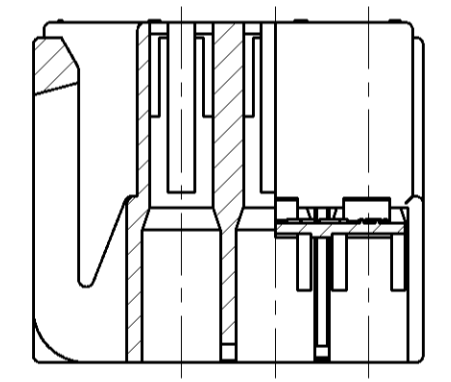
LOC	DIST	REVISIONS			
P	LTR	DESCRIPTION	DATE	DWN	APVD
AL	2	E1	ECR 12-004643	17APR2012	XP RS



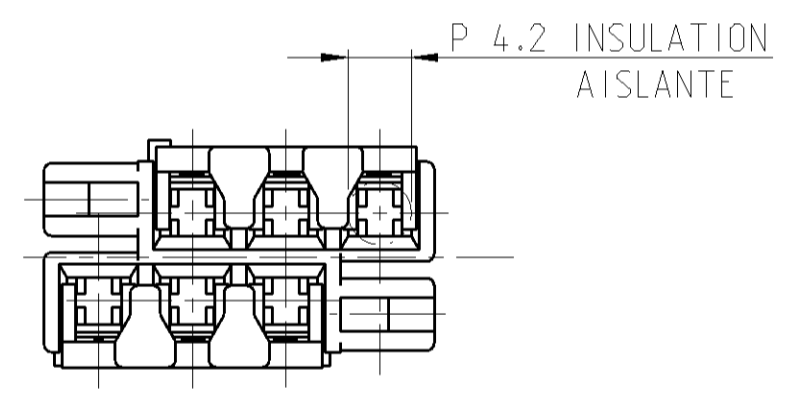
SECCION A-A
SECTION



SECCION B-B
SECTION



DETALLE CAJA CON BISAGRA CERRADA
HOUSING WITH FLAP



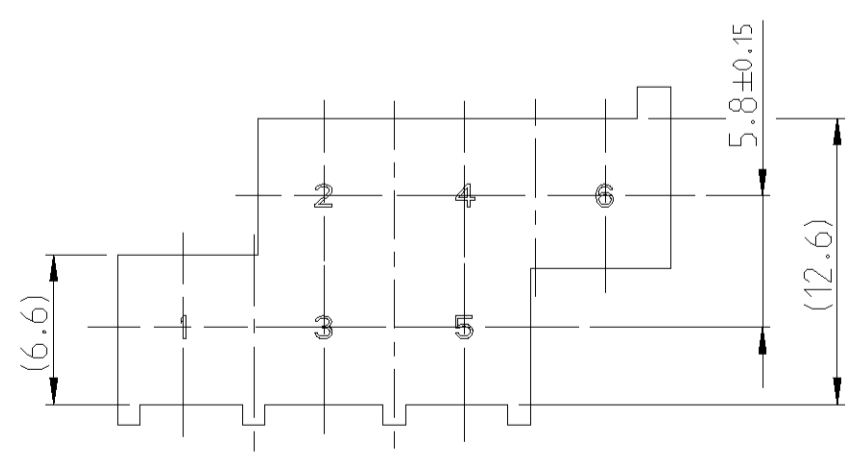
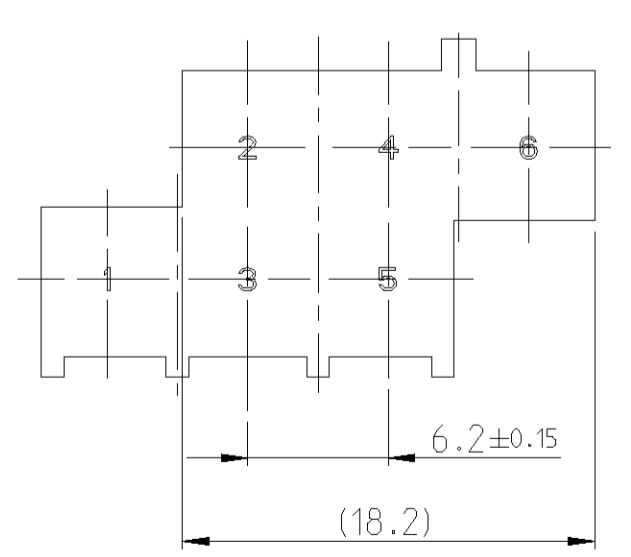
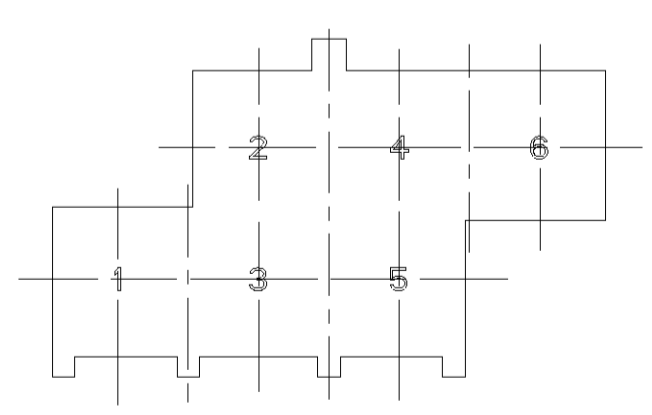
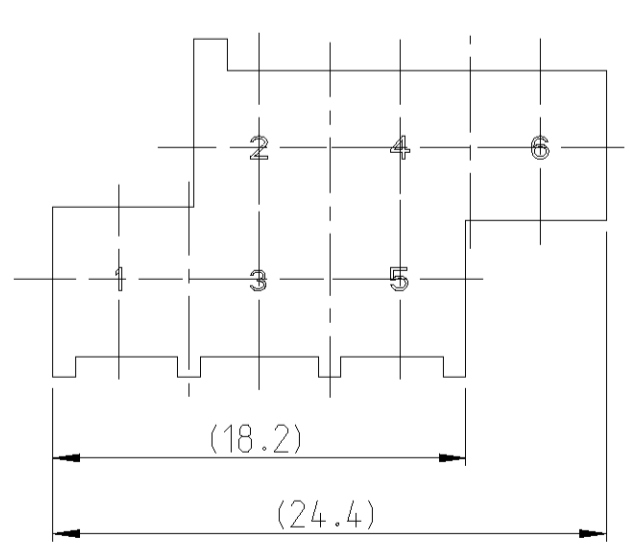
- 1 MATERIAL Y COLORES HAN DE ESTAR LIBRES DE CADMIO
MATERIAL AND COLORS ARE FREE OF CADMIUM
- 2 ALTURA LETRA 2
CHARACTER HEIGHT 2
- 3 ALTURA LETRA 1
CHARACTER HEIGHT 1
- 4 USAR CON 365061
FITTING WITH 365061
- 5 LAS PIEZAS DEBEN IR EMPAQUETADAS HERMETICAMENTE
Y SU CONTENIDO DE HUMEDAD DEBE SER 2.5±1%
PARTS MUST BE AIR TIGHT PACKAGED,
MOISTURE CONTENT MUST BE 2.5±1%

CODIGO 1
CODING

CODIGO 2
CODING

CODIGO 3
CODING

CODIGO 4
CODING



CODE NO.	PART NO.	MATERIAL	COLOUR
CODE 4	365062-4	PA 6.6	YELLOW
CODE 3	365062-3	PA 6.6	BLACK
CODE 2	365062-2	PA 6.6	GREY
CODE 1	365062-1	PA 6.6	NATUR

THIS DRAWING IS A CONTROLLED DOCUMENT.		DWN R. ULLRICH 19OCT1984
DIMENSIONS: mm		CHK J. PASCUAL 15JUN1993
TOLERANCES UNLESS OTHERWISE SPECIFIED:		APVD L. BATILO 15JUN1993
0 PLC	±	PRODUCT SPEC
1 PLC	±	APPLICATION SPEC
2 PLC	± ±0.2	WEIGHT
3 PLC	±	CUSTOMER DRAWING
4 PLC	±	SCALE 2:1
ANGLES	±°	SHEET 1 OF 1
FINISH		REV E1

STE TE Connectivity			
NAME 6 POS. HOUSING FOR JUNIOR TIMER CONTACT			
SIZE A2	CAGE CODE 00779	DRAWING NO. C-365062	RESTRICTED TO