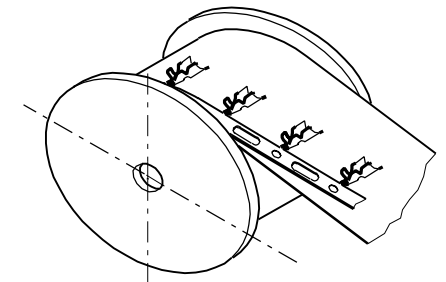
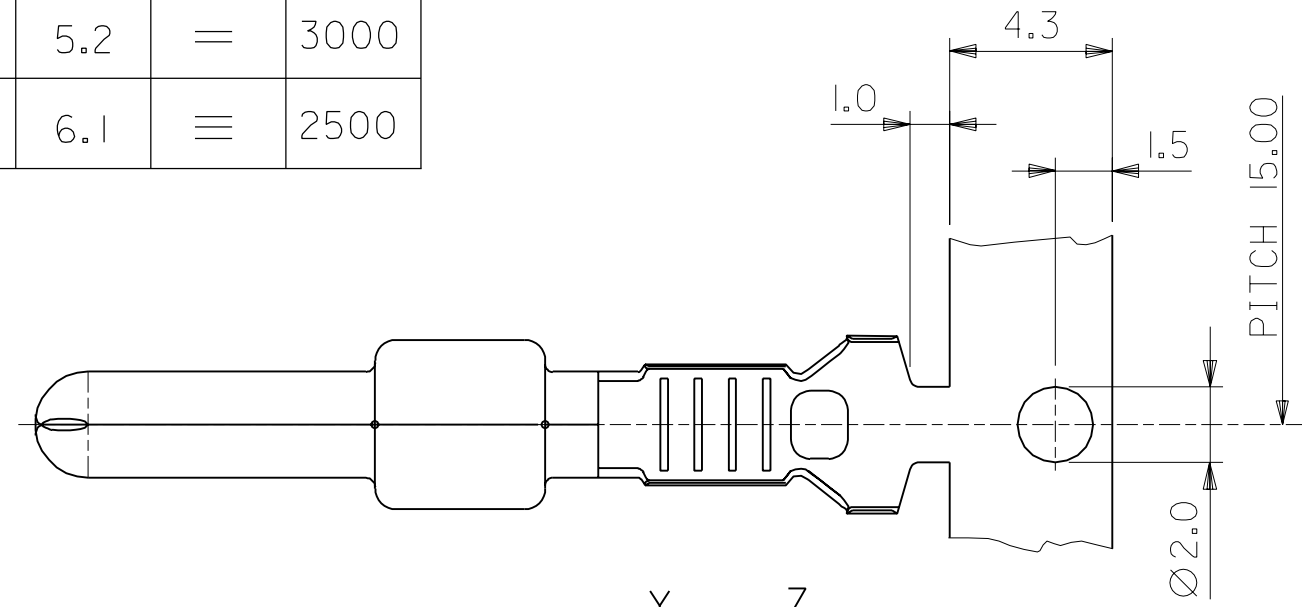


PART NO.	WIRE		B1	H1	B2	H2	M	PARTS PER REEL
	SQ mm ²	INS. Ø mm						
98014-0100	0.5-1.0	1.4-3.3	3.2	3.2	4.7	4.6	—	3000
98014-0200	1.5-2.5	2.1-4.2	4.1	3.8	5.7	5.2	=	3000
98014-0300	2.5-4.0	2.6-4.9	4.4	4.5	6.7	6.1	≡	2500

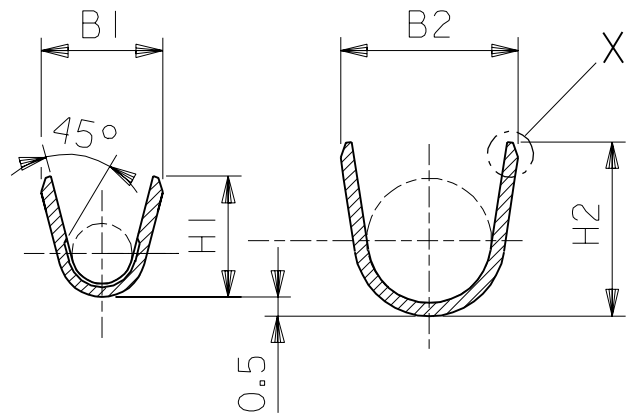


OFF TOP OF REEL

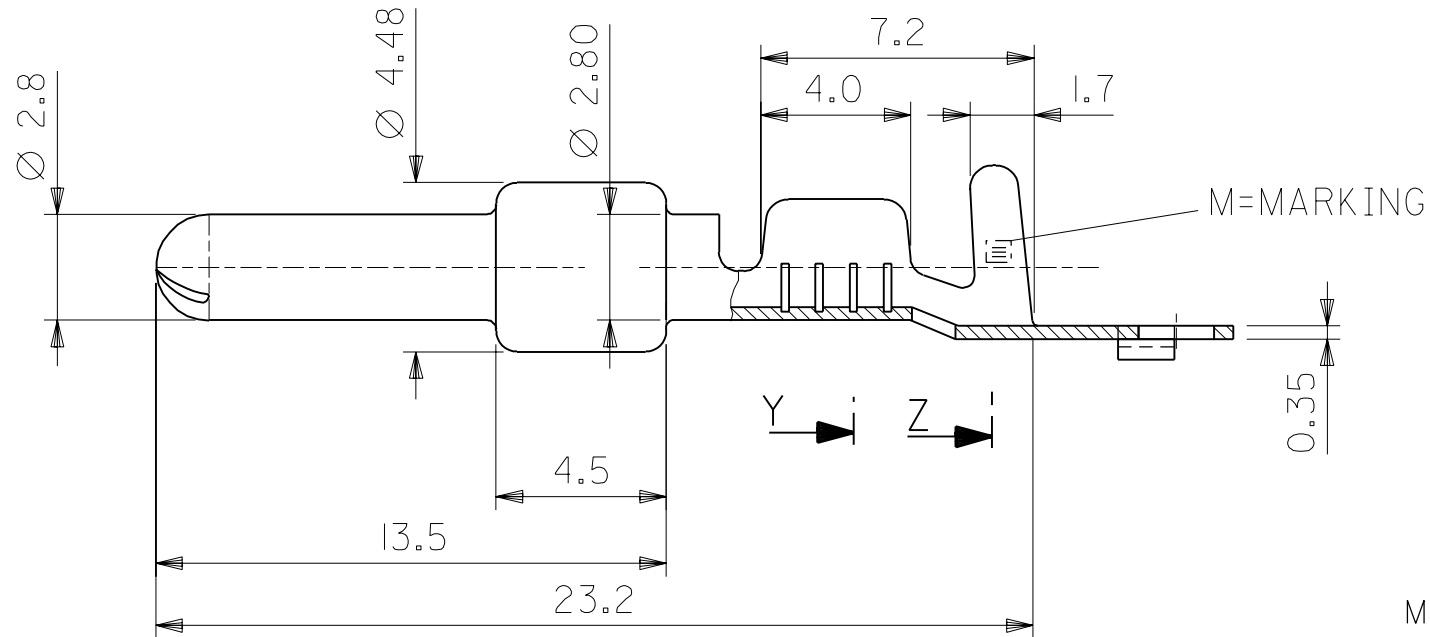
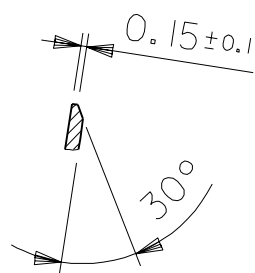


SECTION Y-Y
SCHNITT Y-Y

SECTION Z-Z
SCHNITT Z-Z



DETAIL X
EINZELHEIT X



MATERIAL: PRE TIN BRASS
MESSING VERZINNT

THIRD ANGLE PROJECTION		REVISE ONLY ON CAD SYSTEM		SH.	REV.
DIMENSIONS SHOWN (METRIC) INCH		DRWG BY	CADCAM FILENAME	THIS DRAWING CONTAINS INFORMATION THAT IS PROPRIETARY TO MOLEX INC. & SHOULD NOT BE USED WITHOUT WRITTEN PERMISSION	
UNLESS OTHERWISE SPECIFIED TOLERANCES: ANGULAR ±		LA	SD98014	TITLE	
INCH (METRIC)		CHK'D BY	DCN	MALE TERMINAL	
3 PLACE ±	±	SCH	2.8mm		
2 PLACE ±	± 0.15	APP'D BY	MOLEX EUROPE		
1 PLACE ±	± 0.30	APO	SHEET NO. DATE		1 / 1 14 / 04 / 92
DRAFT WHERE APPLICABLE MUST REMAIN WITHIN DIMENSIONS		SCALE	PART NO.		SD-98014
DESIGN DIMENSION (PRIMARY)	<input checked="" type="checkbox"/> (MM) <input type="checkbox"/> IN.	5:1	DWG NO.		SEE TABLE
EQUIVALENT DIMENSION (SECONDARY)	<input type="checkbox"/> (MM) <input type="checkbox"/> IN.		SIZE		B

FOR PREVIOUS DRAWING ISSUES SEE "EDIS"

ECN MXG 1281
17.02.94
H. DIETZ
D LTR REVISIONS