

THIS DRAWING IS UNPUBLISHED.

RELEASED FOR PUBLICATION

ALL RIGHTS RESERVED.

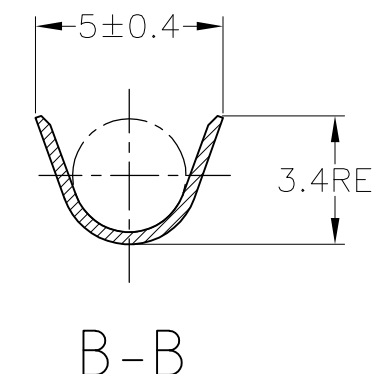
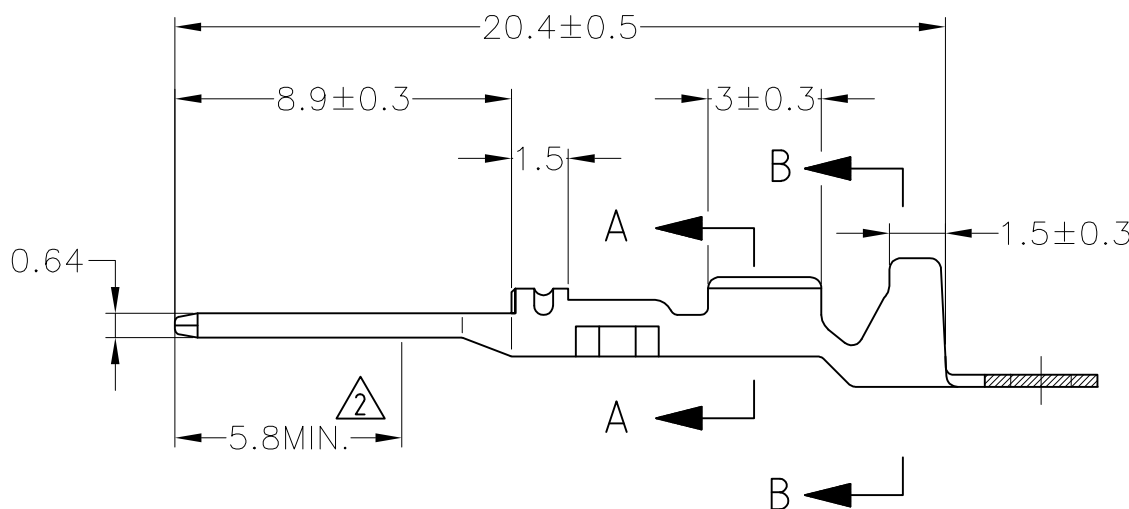
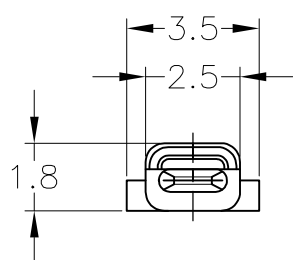
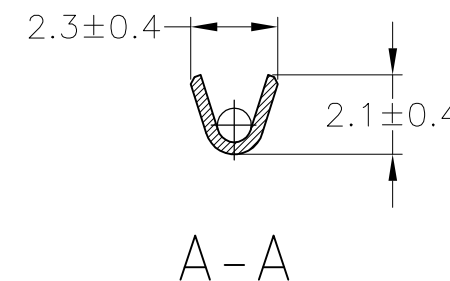
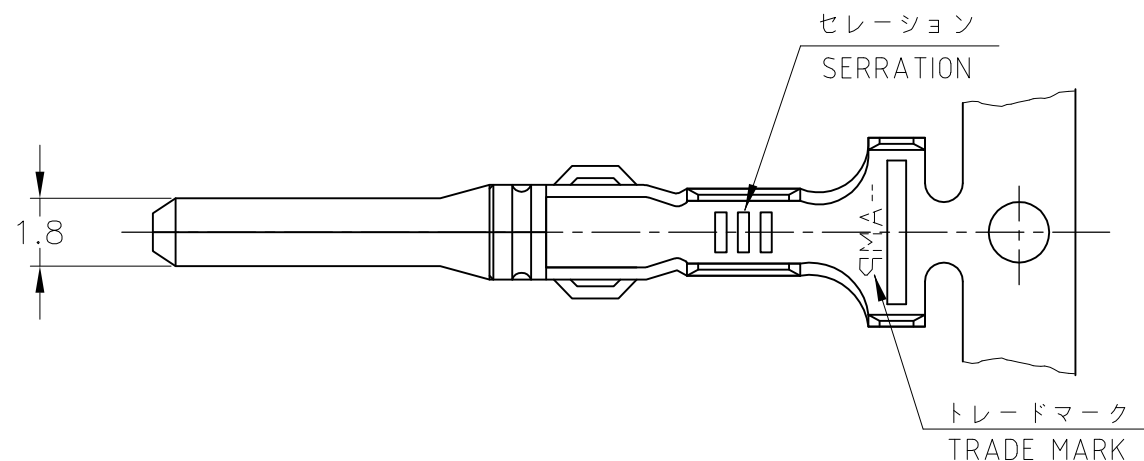
© COPYRIGHT - By -

LOC J

DIST -

REVISIONS

P	LTR	DESCRIPTION	DATE	DWN	APVD
	C1	REVISED PER ECO-11-005140	31MAR11	RK	HMR



1. 嵌合相手端子型番 : 171630
 △ 部分金めっき

1. RECEPTACLE CONTACT : 171630
 △ SELECTIVE GOLD PLATING

△ 部分金めっき	BRASS 板厚0.32	171631-2	2
PRE-TIN (0.76μm MIN.)	BRASS 板厚0.32	171631-1	1
錫めっき済	BRASS 板厚0.32		
FINISH 仕上	MATERIAL 材料	PN 型番	ITEM No. 項番

WIRE RANGE 抱合電線断面積 AV,AVS 0.2-0.5mm² (AWG #24-#20)
 INSULATION DIA 被覆外径 1.4-2.4

THIS DRAWING IS A CONTROLLED DOCUMENT.

DIMENSIONS: 単位: 耗 mm	TOLERANCES UNLESS OTHERWISE SPECIFIED: 一般公差
0 PLC ±-	1 PLC ±-
2 PLC ±-	3 PLC ±-
4 PLC ±-	ANGLES ±-

一般公差 (GENERAL TOLERANCE)
10以下 : ±0.2
10を超え 30以下 : ±0.25
30を超え 100以下 : ±0.3
角 度 : ±3°

MATERIAL 材料 SEE TABLE 表参照
 FINISH 仕上 SEE TABLE 表参照

DWN T.SHINOHARA 27JUN01
 CHK K.BETSUI 27JUN01
 APVD K.BETSUI 27JUN01
 PRODUCT SPEC 製品規格
 APPLICATION SPEC 取付適用規格
 114-5082
 WEIGHT 0.35 g

STE TE Connectivity

ECONOSEAL J-MARKII+ CONNECTOR TAB CONTACT

SIZE	CAGE CODE	DRAWING NO 番号	RESTRICTED TO
A3	00779	C-171631	-

CUSTOMER DRAWING SCALE 尺度 5:1 SHEET 1 OF 1 REV C1