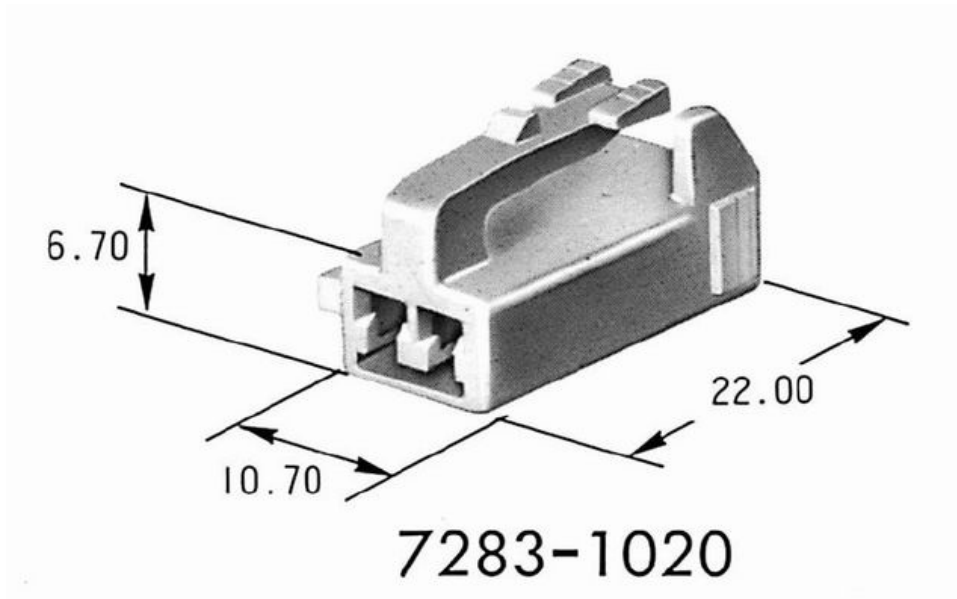


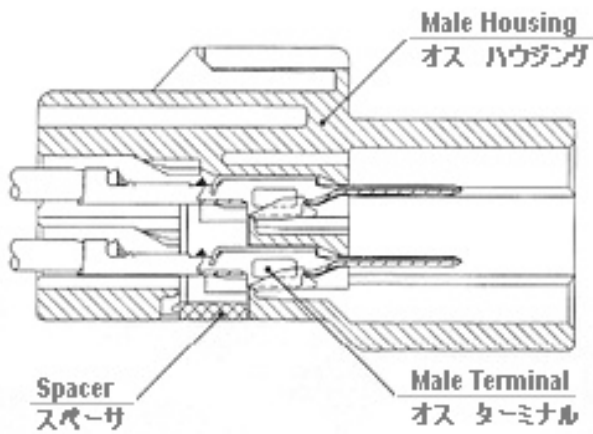
2.3II(090II) Connectors Housing 2P Female



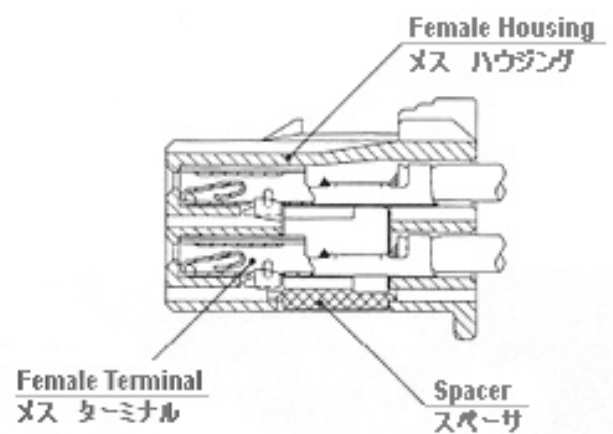
(Unit:mm)

◎ Configuration diagram

Male Connector
オス コネクタ



Female Connector
メス コネクタ



Specifications

Classified Parts	Housing
Family	*2 2.3II(090II) Connectors
Type	-
Yazaki Part Number	7283-1020
Connection Type	Wire to Wire Wire to Board Wire to Device
Unsealed/Seald	Unsealed
Male/Female	Female
Number of Poles	2
Tab Width mm(inches)	2.3(090)
Material	Heat-resistance Nylon
Plating	-
Color	Natural
Rating	-
Mating Part Numbers	7282-1020 7282-1022 7282-8823
Product Specification No.	YPES-11-05-057
Instruction Manual No.	YPES-15-080

Product Specification

Allowable Current(Ref.)	10A(Ref)
Low Level Contact Resistance	3milli ohm Max.(Initial)
Insulation Resistance	100Megohm Min.(at 500VDC)
Withstanding Voltage	1000V AC (1min.)
Temperature Range	*9 -30 to 80deg.C

Application List of Installable Components

Terminals	Wire Seals	Holders
7116-4020	-	-
7116-4021	-	
7116-4022	-	
7116-4052-08	-	
7116-4053-08	-	

*3)Heavy Duty Type, *4)Single Pole Type, *5)Material NBR, *6)5mm pitch, *7)5.5mm pitch

*8)For installable components for the hybrid series, refer to the related component table.

*9)Operating Temperature Range includes temperature rise caused by current flow.

«Note for Purchase»

This brochure includes information on the parts developed jointly with particular customer(s) and approval from the customer(s) may be required for sales.

We would appreciate it if you could contact us prior to purchase.