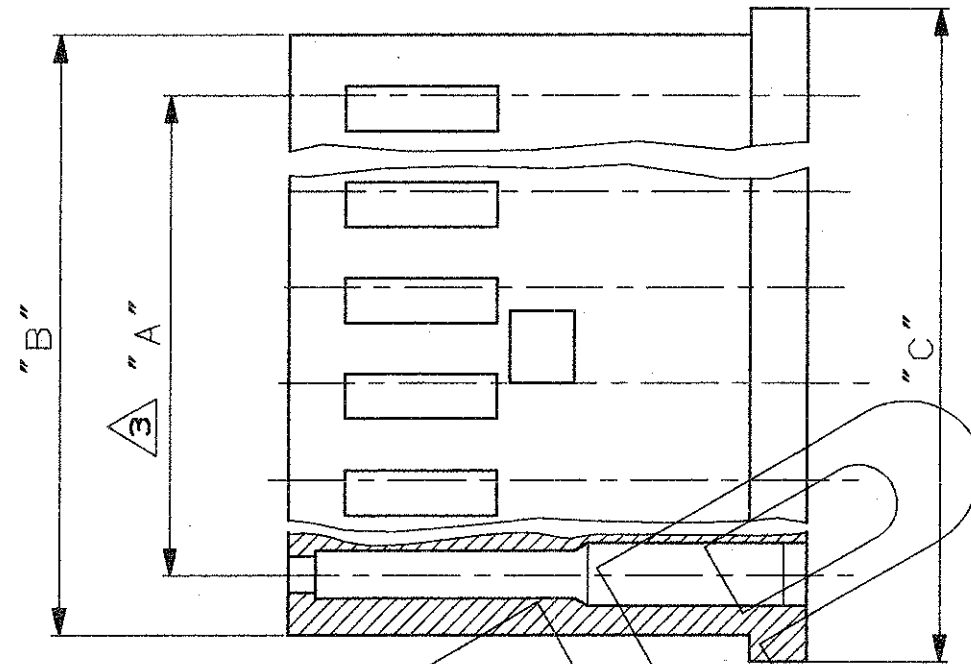
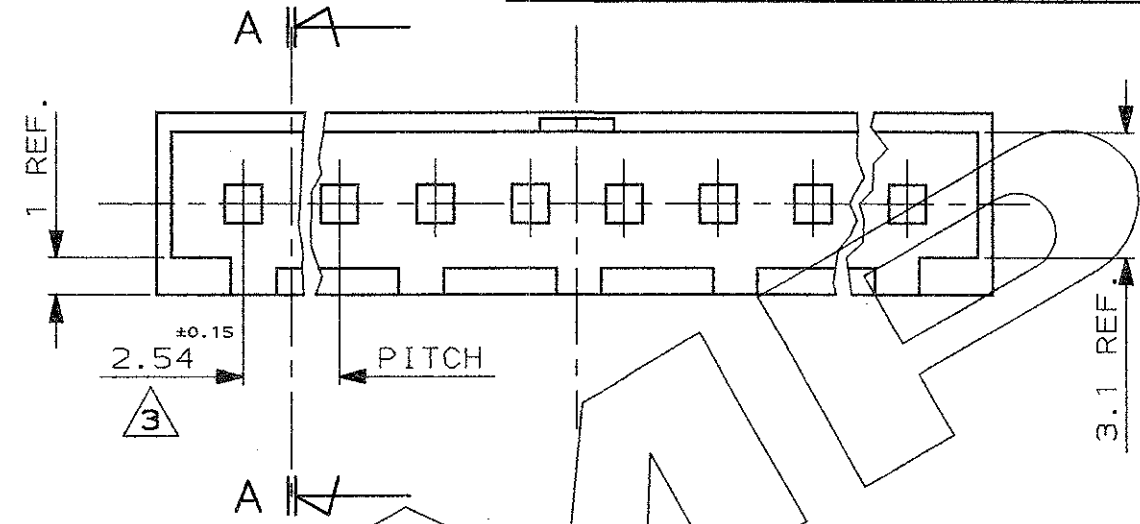
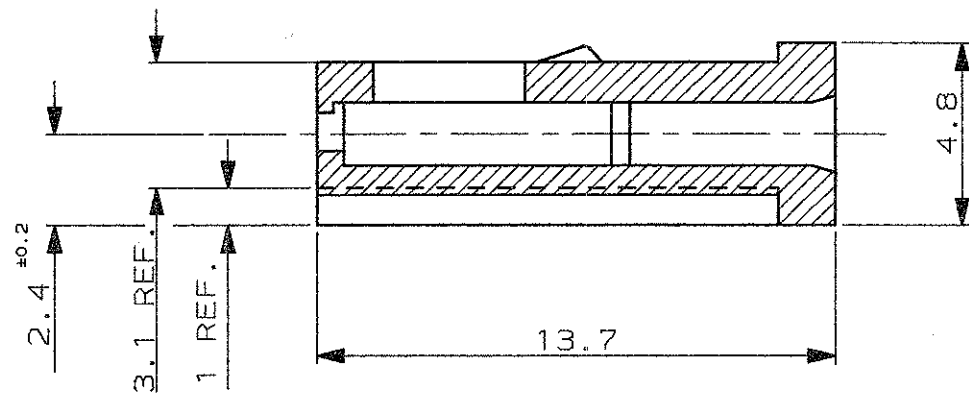


SEZ. A-A
(SECT. A-A)

SCALA NON IMPEGNATIVA
(DO NOT SCALE)
DIMENSIONI IN mm
(DIMENSIONS IN)

METRIC

PROIEZIONE EUROPEA
(EUROPEAN PROJECTION)



OBSOLETE	4	1-280359-0	7.62	10.6	12.2	2
OBSOLETE	2	1-280358-0	2.54	5.6	7.1	
	22	280364-0	53.34	56.4	57.9	1
	15	280363-0	35.56	38.6	40.1	
	12	280514-0	27.94	31	32.5	
	10	280362-0	22.86	25.9	27.4	
	9	280512-0	20.32	23.3	24.9	
	8	280361-0	17.78	20.8	22.3	
	6	280360-0	12.70	15.7	17.3	
	4	280359-0	7.62	10.6	12.2	
	2	280358-0	2.54	5.6	7.1	
N° POS.		PART NUMBER	DIM. "A"	DIM. "B"	DIM. "C"	MATERIAL (SEE NOTE)

1 NORYL, UL94 V1, COLORE NERO

1 NORYL, UL94 V1, BLACK COLOUR

2 NORYL SE-1 COLORE ROSSO

2 NORYL SE-1 RED COLOUR

3 TOLLERANZA NON CUMULATIVA

3 NON CUMULATIVE TOLERANCE

CUSTOMER DRAWING
FOR REFERENCE ONLY

DISEGNO PER CLIENTE
SOLO PER RIFERIMENTO

THIS DRAWING IS UNPUBLISHED | RELEASE FOR PUBLICATION | 19

© COPYRIGHT 19 BY AMP INCORPORATED, HARRISBURG, PA. ALL INTERNATIONAL RIGHT RESERVED. AMP PRODUCTS MAY BE COVERED BY U.S. AND FOREIGN PATENT AND/OR PATENT PENDING

TOLLERANZE; SE NON DIVERSAMENTE SPECIFICATO
(TOLERANCES, UNLESS OTHERWISE SPECIFIED)

DIAM. ISOLANTE (INS. DIA. RANGE) | RANGO FILO (WIRE RANGE) | SCALA (SCALE)

± 0.3

ANGOLI (ANGLES) ± 2°

AMP AMP ITALIA S.p.A.
Corso F.lli Cervi, 15
COLLEGNO (TORINO)

Y	REVISED NOTE 1 (ET00-0188-97)	C.P.	1992	DIS. 11 APRIL '95 (DR.)	DESCRIZIONE (DESCRIPTION) AMPMODU II REC. HSG SINGLE ROW, CRIMP ON-SNAP IN
G	REVISED AND REDRAWN BY CAD ET00-0092-95	C.P.	25 May '95	C.P.I.A.	
F	REVISED NOTE 1	C.M.	10-7-91	CONT. 11 APRIL '95 (CHK) R. CANTORE	LOC. SIZE NUMERO (DWS NO) REV. FOGLIO (SHEET)
E	REVISED AND REDRAWN	E.B.	29-9-86		
REV.	REVISIONI (REVISION RECORD)	DIS. DATA (DR) (DATE)	APP. DATA (APP.) (DATE)		I A3 C - 280358 Y 1 1

DISTRIBUZIONE (PRINT DIST.)