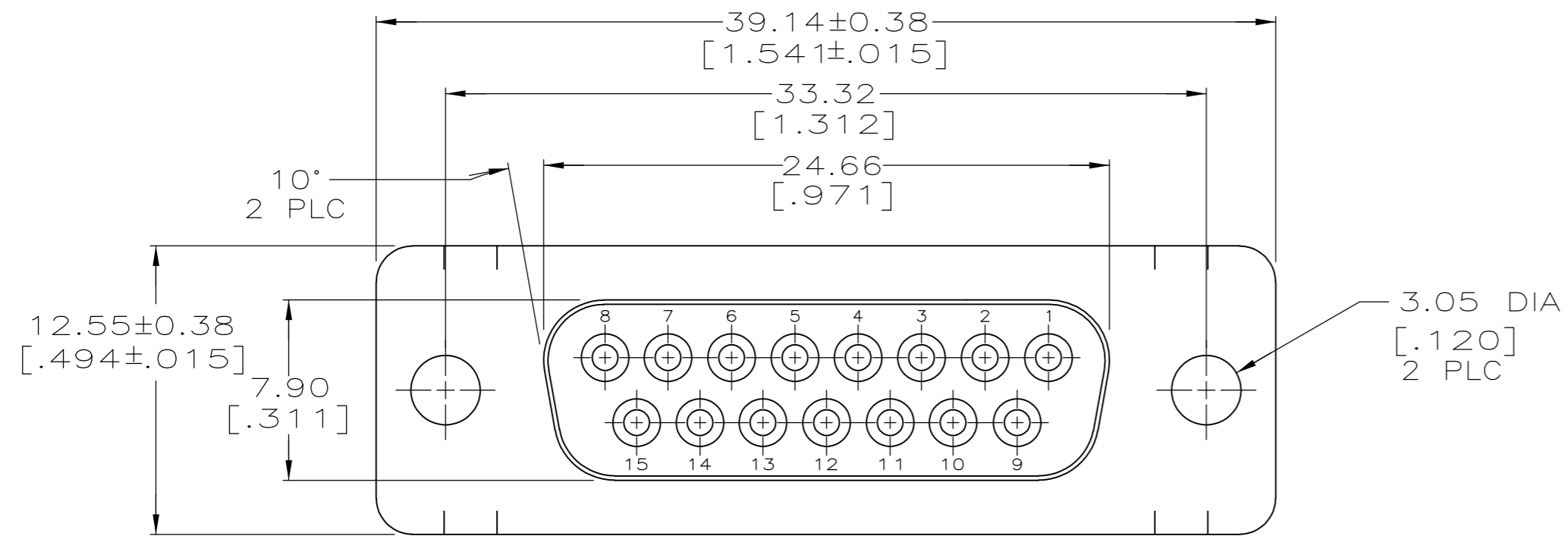
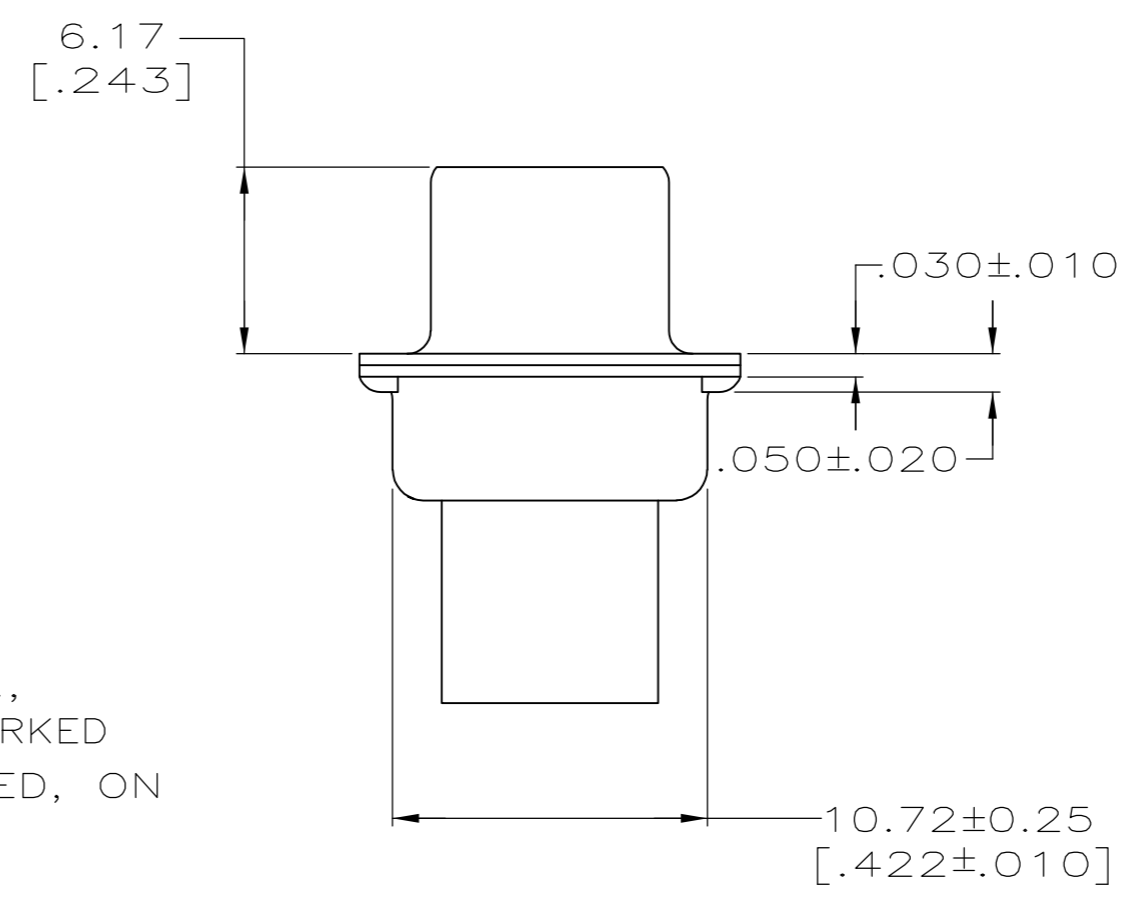
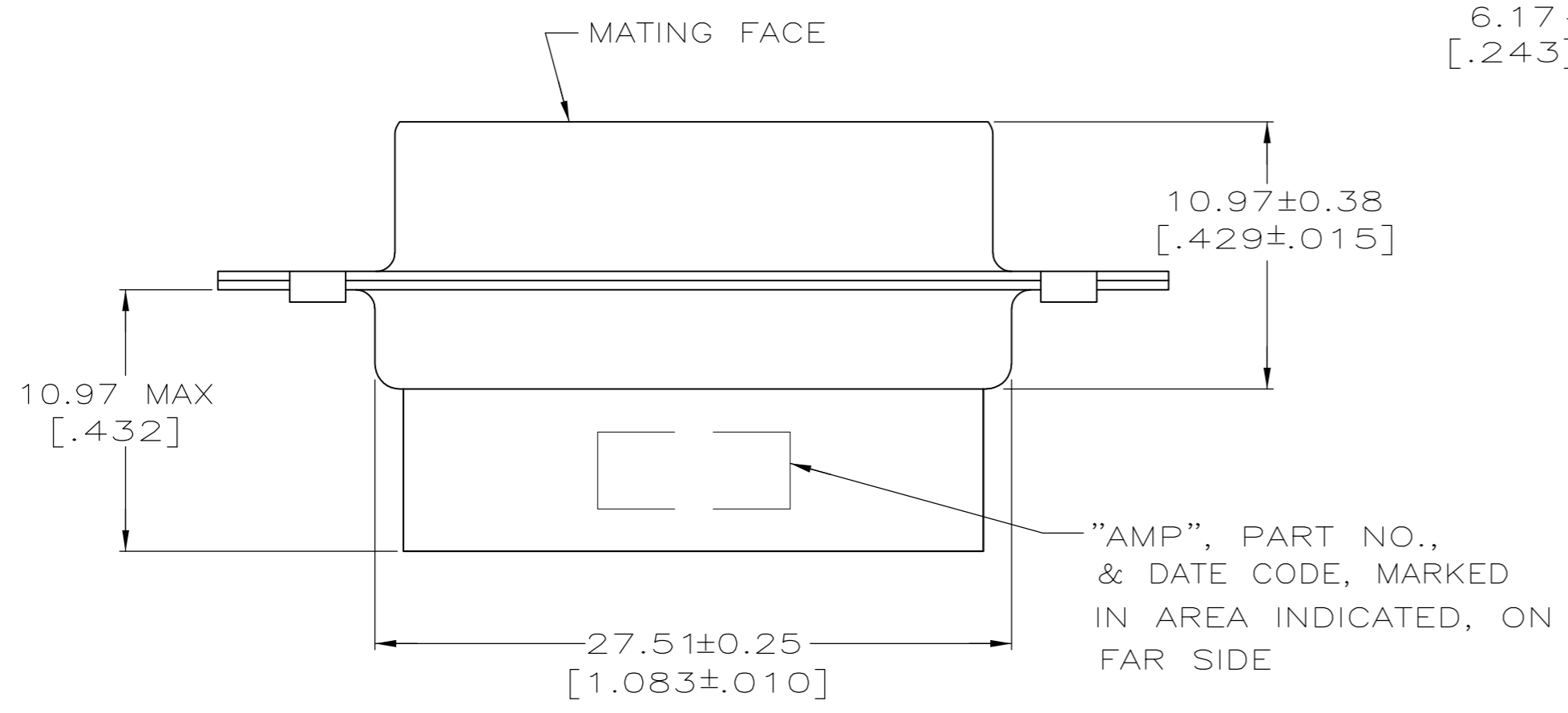


THIS DRAWING IS UNPUBLISHED. RELEASED FOR PUBLICATION  
 © COPYRIGHT - By - ALL RIGHTS RESERVED.

LOC		DIST		REVISIONS			
P	LTR	DESCRIPTION		DATE	DWN	APVD	
GP	00	K	REVISED PER ECO-14-011808	09AUG2014	AP	SB	



- 1 CONNECTOR ACCEPTS SIZE 20 DF SOCKET CONTACTS, RETENTION TINES ARE AN INTEGRAL PART OF INSERT.
- 2 CONNECTOR COMPLIES WITH 108-40005 WHERE APPLICABLE.
- 3 MOLDED PARTS: GLASS-FILLED PBT OR GLASS-FILLED NYLON, UL94V-0 RATED. COLOR: BLACK
- 4 SHELLS: STEEL PER ASTM A109.
- 5 ZINC PLATED PER ASTM B633; TYPE II; CLASS SC1; YELLOW CHROMATE.
- 6 TIN PLATED PER MIL-T-10727 OVER COPPER PER MIL-C-14550.
- 7 ZINC PLATED .000200-.000400 THICK, YELLOW TRIVALENT CHROMIUM CHROMATE COATING.



PACKAGING TYPE	SHELL FINISH	PART NO
STANDARD	7	205205-7
SMALL PACK	5	205205-5
STANDARD	6	205205-2
STANDARD	5	205205-1

SUPERSEDED BY 205205-1

OBSOLETE

THIS DRAWING IS A CONTROLLED DOCUMENT.		DWN S. WELDON 7-19-85		TE Connectivity		
DIMENSIONS: INCHES		CHK J. GERACE 7-29-85		NAME		
TOLERANCES UNLESS OTHERWISE SPECIFIED:		APVD V. KUMAR 7-31-85		RCPT CONNECTOR, SIZE 2, 15 POSN, AMPLIMITE, HDP™		
0 PLC ± - 1 PLC ± - 2 PLC ± 0.13 [.005] 3 PLC ± - 4 PLC ± - ANGLES ± 2°		PRODUCT SPEC -		SIZE A2	CAGE CODE 00779	DRAWING NO C-205205
MATERIAL SEE NOTES		FINISH SHELLS: SEE TABLE	WEIGHT -	SCALE 4:1	SHEET 1 of 1	
			CUSTOMER DRAWING	RESTRICTED TO -	REV K	