



S10-M4

10mm² Uninsulated brazed seam ring terminal M4 stud



General Information

Material Code	2165130
---------------	---------

Technical

Conductor Size Min (mm ²)	10
---------------------------------------	----

Conductor Size Max (mm ²)	10
---------------------------------------	----

Conductor Type	Copper
----------------	--------

Terminal Type	Uninsulated ring
---------------	------------------

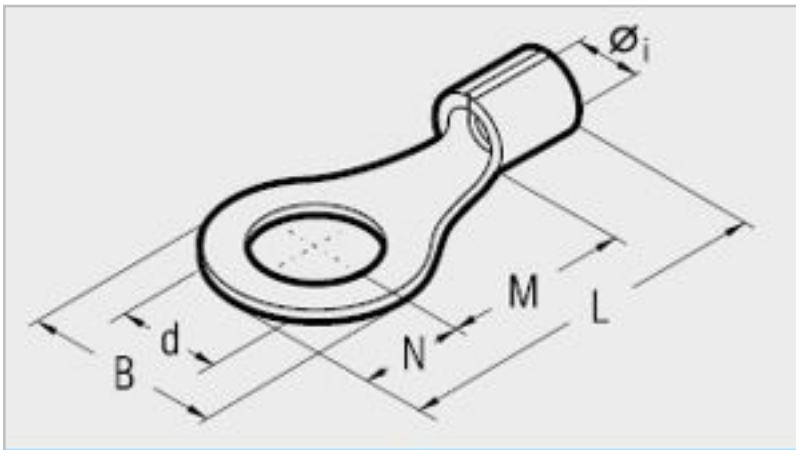
Palm Type	Straight
-----------	----------

Stud Size	M4
-----------	----

Insulated?	No
------------	----

UL Listed?	No
------------	----

Datasheet generated from <https://onetimepim.com> last updated Wednesday, December 22, 2021 4:33:13 PM



Ø Stud mm	Ref.	Dimensions mm					
		Øi	B	M	N	L	d
4	S 10-M 4	4,8	11,5	9,0	5,8	23,8	4,3
5	S 10-M 5	4,8	11,5	9,0	5,8	23,8	5,3
6	S 10-M 6	4,8	11,5	9,0	5,8	23,8	6,4
7	S 10-M 7	4,8	11,5	9,0	5,8	23,8	7,2