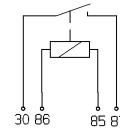
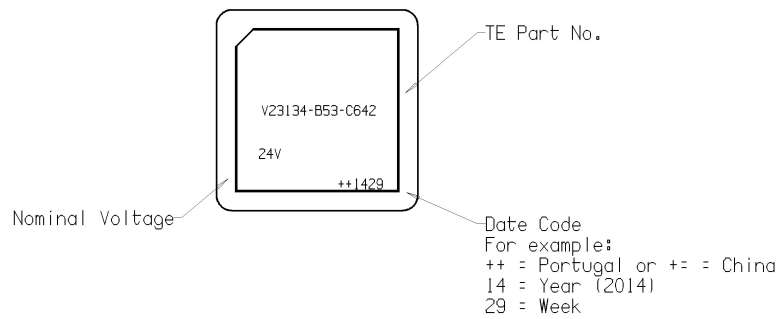
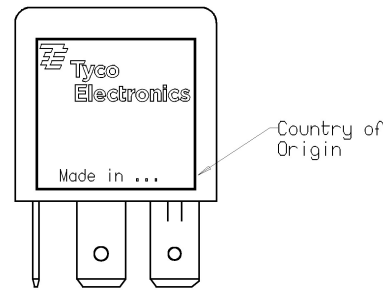
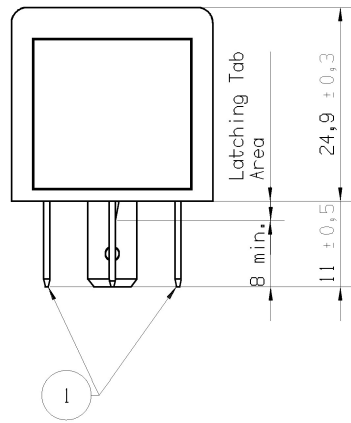
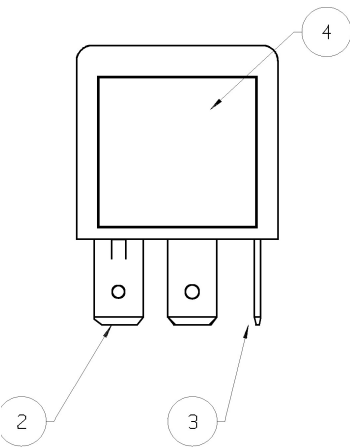


CIRCUIT DIAGRAM



Dustproof:
Protection class IP 54 To IEC 529 (EN 60529)
Terminals shape similar to ISO 8092-1
Coil and Load Terminals 6,3 x 0,8 mm



No.	PART	MATERIAL	COLOUR
5	Base	PA 66 GF 25	Black sim. to RAL 9005
4	Cover	PA 66 GF 25	Black sim. to RAL 9005
3	Load terminal (87)	E-Cu	Pre-tinned Sn
2	Load Terminal (30)	E-Cu	Pre-tinned Sn
1	Coil terminals (85) and (86)	CuSn	Pre-tinned Sn

TE P/N	REV	PART NUMBER	COUNTRY OF ORIG
1393303-9		V23134-B0053-C642	PORTUGAL
7-1904094-5			CHINA

PROPRIETARY
THE REPRODUCTION, TRANSMISSION OR USE OF THIS DOCUMENT OR IT'S CONTENTS IS NOT PERMITTED WITHOUT EXPRESSED WRITTEN AUTHORITY. OFFENDERS WILL BE LIABLE FOR ALL DAMAGES. ALL RIGHTS, INCLUDING RIGHTS CREATED BY REGISTERED PATENTS GRANTED FOR A UTILITY MODEL OR DESIGN, ARE RESERVED.

CHANGES TO THIS DRAWING MUST BE DONE ONLY IN CAD

APPLICABLE SPEC.:	FINISH:
TOLERANCE UNLESS SPECIFIED OTHERWISE	DIMENSIONS APPLY
DIMENSIONS TRIM	SCALE 2:1
	PLATING
	MATERIAL
	WEIGHT

DATE	NAME	PART NAME
DWN. 04SEP2014	L.Sandova	POWER F Relay
APP.		NO 40A 24V
REV.		
LOCATION	FF Evora	PART NO.
		V23134-B0053-C642
		CUSTOMER DRAWING

