

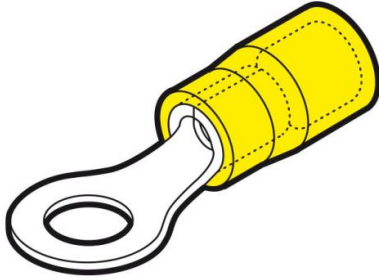


# Cembre

MAKING THE RIGHT CONNECTIONS

## GP-M6/1

4mm<sup>2</sup>-6mm<sup>2</sup> Halogen free Polycarbonate insulated ring terminal M6 stud yellow



## General Information

Material Code	2046631
Weight per Piece	1.977
Weight Unit of Measure	G
Commodity Code (Export Code)	85369010
Country of Origin	IT

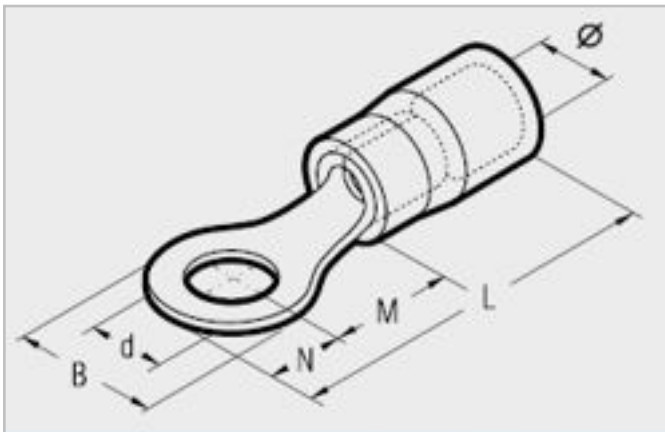
Dunton Park, Kingsbury Road  
Curdworth, Sutton Coldfield  
West Midlands

T: 01675 470440 E: sales@cembre.co.uk W: <http://www.cembre.co.uk>

# Technical

<b>Conductor Size Min (mm<sup>2</sup>)</b>	4
<b>Conductor Size Max (mm<sup>2</sup>)</b>	6
<b>Conductor Type</b>	Copper
<b>Terminal Type</b>	Insulated ring
<b>Palm Type</b>	Straight
<b>Stud Size</b>	M6
<b>Max. Voltage Rating (kV)</b>	0.6
<b>Inspection Hole</b>	N/A
<b>Suitable for Indoor Use? (no exposure to water or moisture)</b>	Yes
<b>Suitable for Outdoor Use? (exposure to water and moisture)</b>	No
<b>Insulated?</b>	Partially
<b>Insulation Material</b>	Polycarbonate
<b>Insulation Colour</b>	Yellow
<b>Halogen Free?</b>	Yes
<b>Flammability Rating (UL94)</b>	V0
<b>Max. Operating Temperature (°C)</b>	115
<b>Surge Operating Temperature (°C)</b>	130
<b>Min. Operating Temperature (°C)</b>	-20
<b>UL Listed?</b>	Yes
<b>UL Listing File Number</b>	E125401

Datasheet generated from <https://onetimepim.com> last updated Wednesday, December 22, 2021 4:33:06 PM



Ø Stud mm	Ref.	Dimensions mm					
		Ø	B	M	N	L	d
3	GPM 3	6,6	8,0	8,1	4,0	26,2	3,2
3,5	GPM 3.5	6,6	8,0	8,1	4,0	26,2	3,7
4	GPM 4	6,6	9,0	8,1	4,5	26,7	4,3
5	GPM 5	6,6	9,0	8,1	4,5	26,7	5,3
6	GPM 6	6,6	11,0	11,1	5,5	30,7	6,4
6	GPM 6/1	6,6	11,0	8,1	5,5	27,7	6,4
7	GPM 7	6,6	11,0	11,1	5,5	30,7	7,2
8	GPM 8	6,6	13,6	12,1	6,8	33,0	8,4
8	*GPM 8/1	6,6	11,0	8,1	5,5	27,7	8,4
10	GPM 10	6,6	13,6	12,1	6,8	33,0	10,5
10	GPM 10/1	6,6	15,5	13,8	7,7	35,7	10,5
12	GPM 12	6,6	19,0	15,1	9,5	38,7	13,0
14	GPM 14	6,6	21,0	16,1	10,5	40,7	15,0
16	GPM 16	6,6	24,0	17,1	12,0	43,2	17,0