

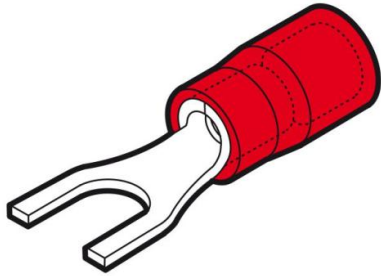


Cembre

MAKING THE RIGHT CONNECTIONS

RF-U4/1

0.25mm²-1.5mm² PVC insulated fork terminal 4.3mm fork width red



General Information

Material Code 2050730

Weight per Piece 0.739

Weight Unit of Measure G

Commodity Code (Export Code) 85369010

Country of Origin IT

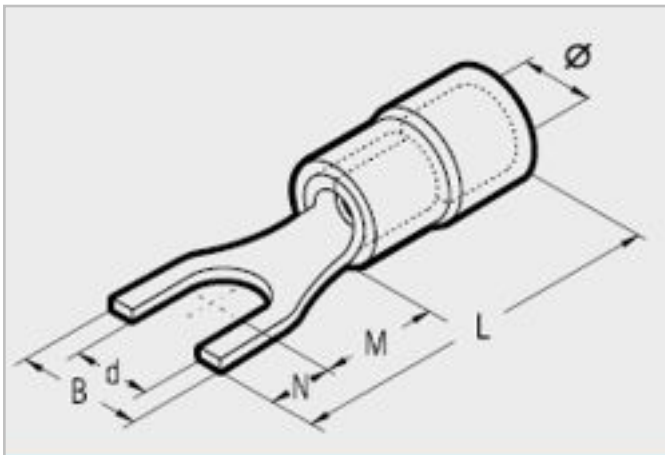
Dunton Park, Kingsbury Road
Curdworth, Sutton Coldfield
West Midlands

T: 01675 470440 E: sales@cembre.co.uk W: <http://www.cembre.co.uk>

Technical

Conductor Size Min (mm²)	0.25
Conductor Size Max (mm²)	1.5
Conductor Type	Copper
Terminal Type	Insulated fork
Fork Size (width in mm)	4.3
Max. Voltage Rating (kV)	0.6
Inspection Hole	N/A
Suitable for Indoor Use? (no exposure to water or moisture)	Yes
Suitable for Outdoor Use? (exposure to water and moisture)	No
Insulated?	Partially
Insulation Material	PVC
Insulation Colour	Red
Halogen Free?	No
Flammability Rating (UL94)	V0
Max. Operating Temperature (°C)	80
Surge Operating Temperature (°C)	90
Min. Operating Temperature (°C)	-20
UL Listed?	Yes
UL Listing File Number	E125401

Datasheet generated from <https://onetimepim.com> last updated Wednesday, December 22, 2021 4:33:07 PM



Ø Stud mm	Ref.	Dimensions mm					
		Ø	B	M	N	L	d
3	RF-U 3	3,9	5,5	5,5	4,0	19,6	3,2
3,5	RF-U 3,5	3,9	6,0	6,5	3,8	20,4	3,7
3,5	RF-U 3,5/1	3,9	7,2	6,5	3,8	20,4	3,7
3,5	RF-U 3,5/2*	3,9	6,4	6,5	3,8	20,4	3,7
4	RF-U 4	3,9	6,5	7,5	3,7	21,3	4,3
4	RF-U 4/1	3,9	8,5	7,5	3,7	21,3	4,3
4	RF-U 4/2	3,9	7,5	7,5	3,7	21,3	4,3
5	RF-U 5	3,9	8,5	7,5	3,7	21,3	5,3
5	*RF-U 5/1*	3,9	9,4	7,5	3,7	21,3	5,3
6	RF-U 6	3,9	9,4	8,1	4,7	22,9	6,4
6	RF-U 6/1	3,9	12,0	9,2	7,1	26,4	6,4
8	RF-U 8	3,9	14,0	10,0	6,3	26,4	8,4
10	RF-U 10	3,9	17,5	13,0	7,7	30,9	10,5
12	RF-U 12	3,9	20,0	15,5	9,0	34,6	13,0