



# C e m b r e

MAKING THE RIGHT CONNECTIONS

## RF-M10

0.25mm<sup>2</sup>-1.5mm<sup>2</sup> PVC insulated ring terminal M10 stud red



## General Information

---

Material Code	2050390
---------------	---------

---

Weight per Piece	1.34
------------------	------

---

Weight Unit of Measure	G
------------------------	---

---

Commodity Code (Export Code)	85369010
------------------------------	----------

---

Country of Origin	IT
-------------------	----

---

---

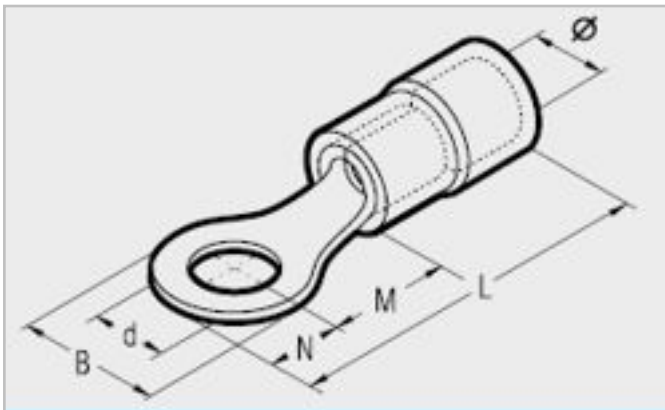
Dunton Park, Kingsbury Road  
Curdworth, Sutton Coldfield  
West Midlands

T: 01675 470440 E: sales@cembre.co.uk W: <http://www.cembre.co.uk>

# Technical

<b>Conductor Size Min (mm<sup>2</sup>)</b>	0.25
<b>Conductor Size Max (mm<sup>2</sup>)</b>	1.5
<b>Conductor Type</b>	Copper
<b>Terminal Type</b>	Insulated ring
<b>Palm Type</b>	Straight
<b>Stud Size</b>	M10
<b>Max. Voltage Rating (kV)</b>	0.6
<b>Inspection Hole</b>	N/A
<b>Suitable for Indoor Use? (no exposure to water or moisture)</b>	Yes
<b>Suitable for Outdoor Use? (exposure to water and moisture)</b>	No
<b>Insulated?</b>	Partially
<b>Insulation Material</b>	PVC
<b>Insulation Colour</b>	Red
<b>Halogen Free?</b>	No
<b>Flammability Rating (UL94)</b>	V0
<b>Max. Operating Temperature (°C)</b>	80
<b>Surge Operating Temperature (°C)</b>	90
<b>Min. Operating Temperature (°C)</b>	-20
<b>UL Listed?</b>	Yes
<b>UL Listing File Number</b>	E125401

Datasheet generated from <https://onetimepim.com> last updated Wednesday, December 22, 2021 4:33:07 PM



Ø Stud mm	Ref.	Dimensions mm					
		Ø	B	M	N	L	d
2	*RF-M 2*	3,9	5,6	4,5	2,8	17,4	2,2
3	RF-M 3	3,9	5,6	4,5	2,8	17,4	3,2
3,5	RF-M 3,5	3,9	5,6	4,5	2,8	17,4	3,7
3,5	RF-M 3,5/1	3,9	6,2	7,1	3,1	20,3	3,7
4	RF-M 4	3,9	7,0	6,5	3,5	20,1	4,3
4	RF-M 4/3*	3,9	7,8	7,1	3,9	21,1	4,3
5	RF-M 5	3,9	7,8	7,1	3,9	21,1	5,3
6	RF-M 6	3,9	9,4	8,1	4,7	22,9	6,4
6	RF-M 6/1	3,9	12,0	10,3	6,0	26,4	6,4
7	RF-M 7	3,9	9,4	8,1	4,7	22,9	7,2
8	RF-M 8	3,9	12,0	10,3	6,0	26,4	8,4
10	RF-M 10	3,9	15,5	13,0	7,7	30,9	10,5
12	RF-M 12	3,9	18,0	15,5	9,0	34,6	13,0