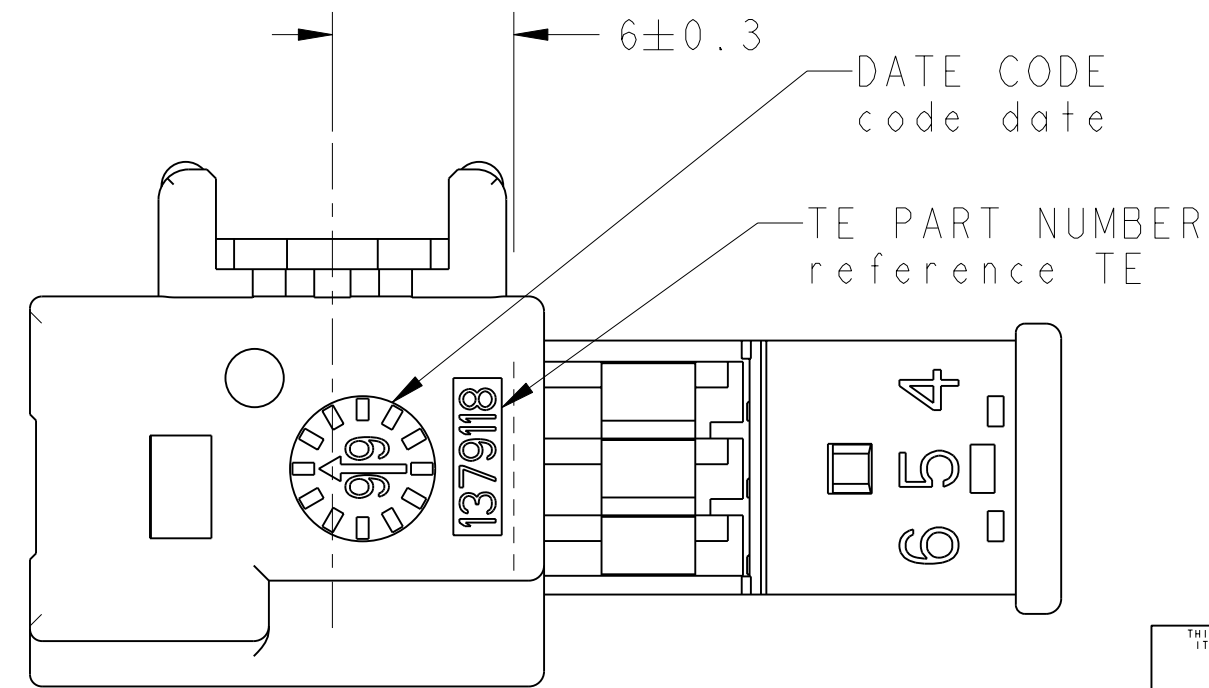
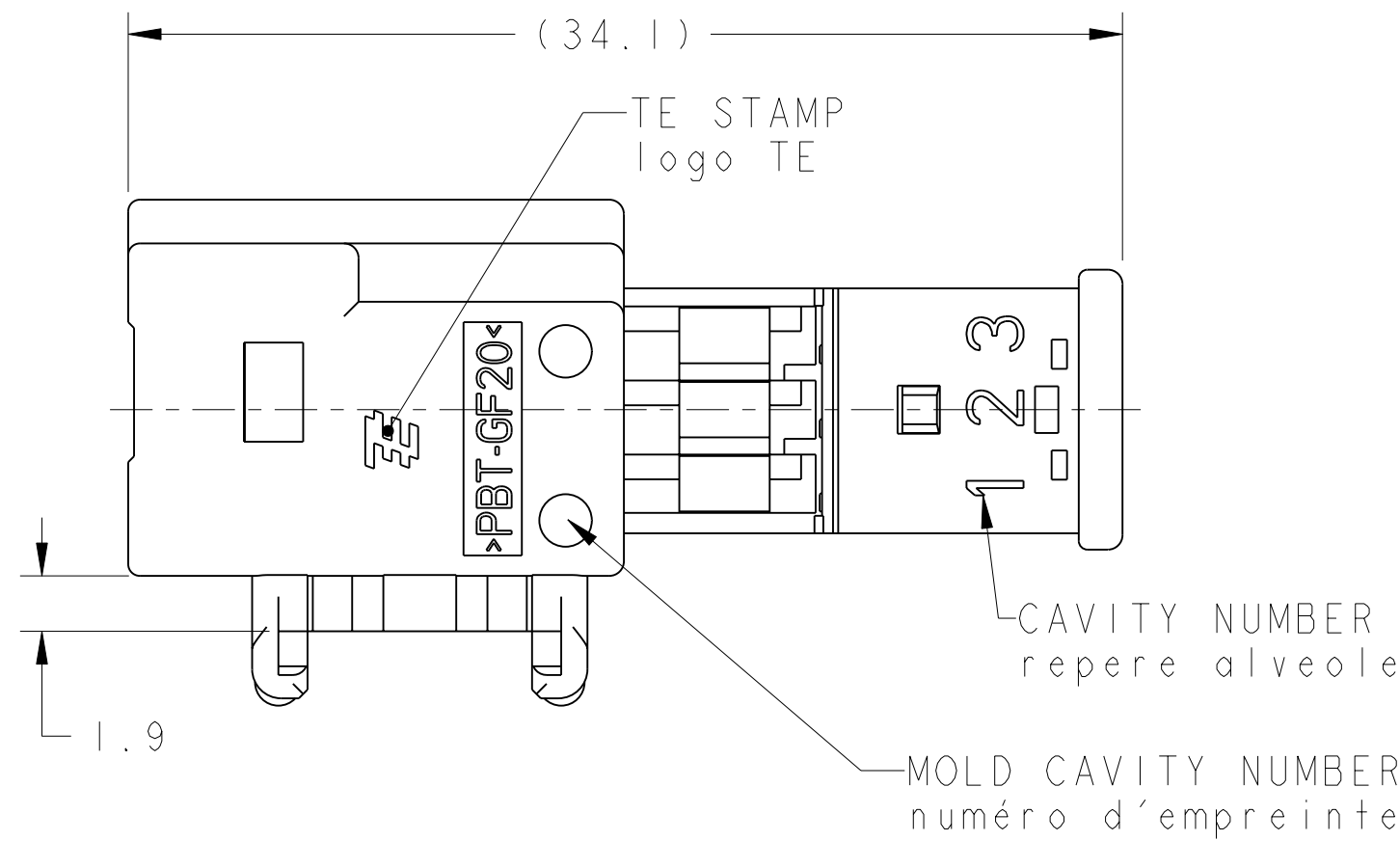
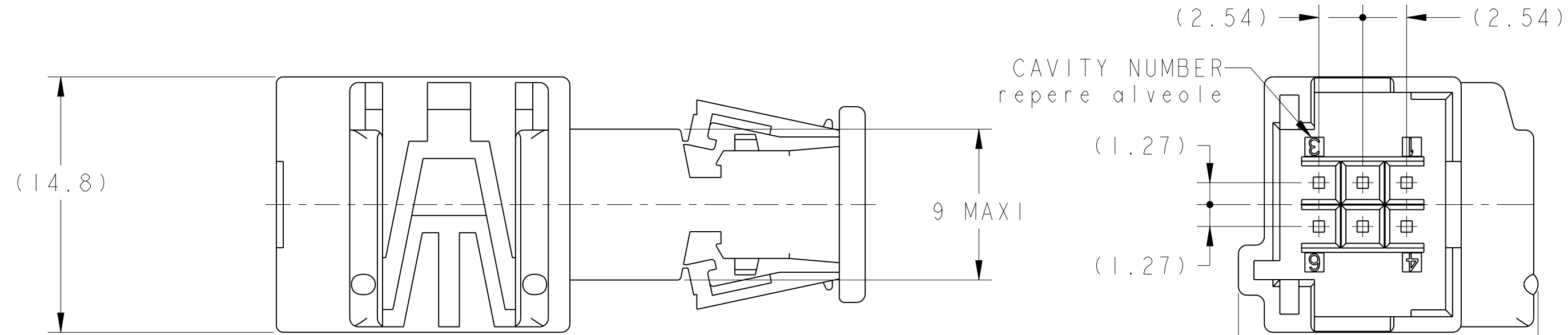


THIS DRAWING IS UNPUBLISHED. / DIFFUSION RESTREINTE
 RELEASED FOR PUBLICATION / LIBRE A LA DIFFUSION 2009
 © COPYRIGHT 2009 BY TYCO ELECTRONICS CORPORATION. ALL RIGHTS RESERVED. / TOUS DROITS RESERVES

LOC	DIST	REVISIONS				
F	00	P	LTR	DATE	DWN DESS.	APVD APP.
DESCRIPTION MODIFICATIONS						



PART TO BE USED WITH
 MQS TAB CONTACT PN: SEE TE DRAWING PN 929453
 COVER FOR MQS 6 POS HOUSING GENE II PN: 953382-X
 LOCKING DEVICE FOR MQS 6 POS GENE II PN: 953381-1
 SOCKET HOUSING FOR MQS 6 POS PN: 185311-1
 piece a utiliser avec
 languette MQS ref: voir plan TE ref 929453
 porte-module 6 voies MQS gen II ref: 953382-X
 verrou secondaire 6 voies MQS gene II: 953381-1
 module 6 voies MQS ref: 185311-1

PACKAGING SPECIFICATION : 107-15440
 specification de conditionnement: voir ci-dessus.

	BROWN marron	1379118-4
ECHELLE 2:1		
	GREEN vert	1379118-3
ECHELLE 2:1		
	WHITE blanc	1379118-2
ECHELLE 2:1		
	BLACK noir	1379118-1
ECHELLE 2:1		
KEYING detrompage	COLOR couleur	TE PN ref TE

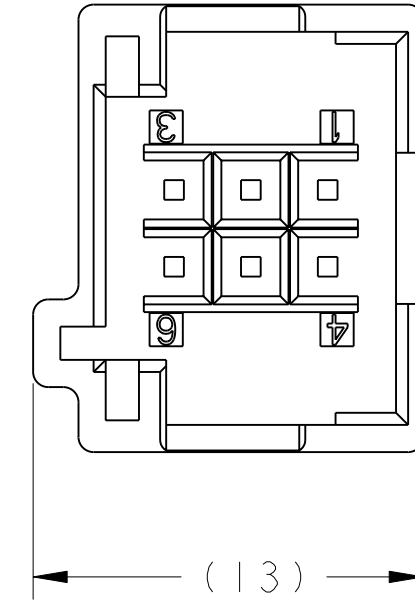
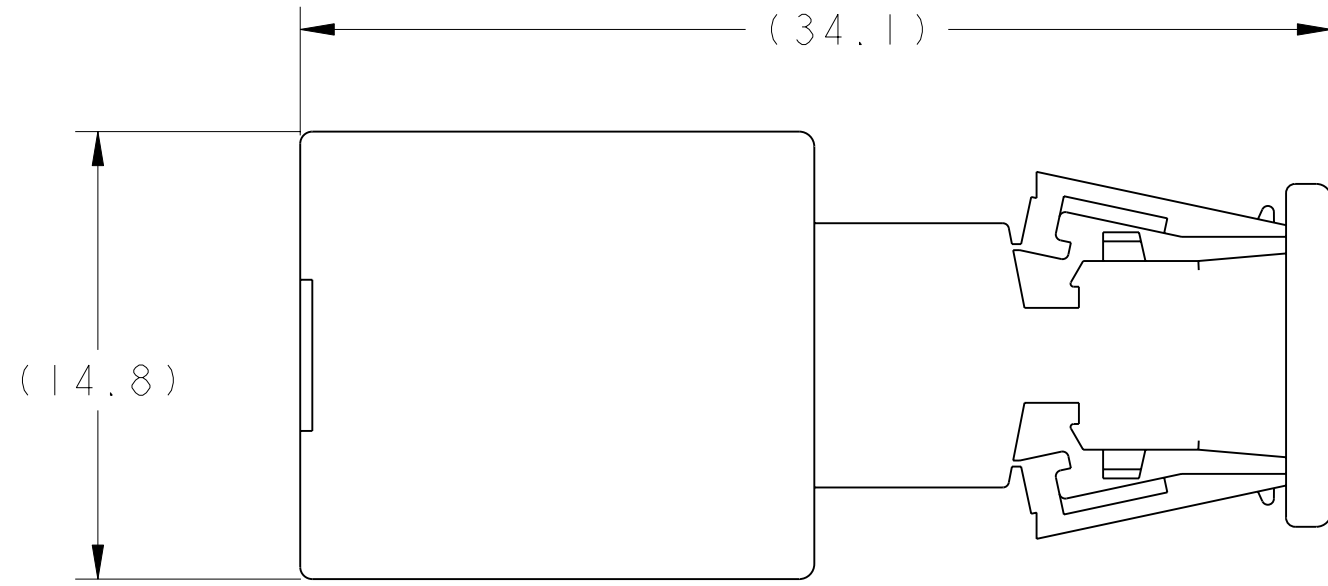
THIS DRAWING IS A CONTROLLED DOCUMENT FOR TYCO ELECTRONICS CORPORATION. IT IS SUBJECT TO CHANGE AND THE CONTROLLING ENGINEERING ORGANIZATION SHOULD BE CONTACTED FOR THE LATEST REVISION. CE PLAN EST UN DOCUMENT CONTROLE PAR TYCO ELECTRONICS. IL EST SUSCEPTIBLE D'ETRE REVISE. CONTACTER LE SERVICE TECHNIQUE DE TYCO ELECTRONICS POUR OBTENIR LA DERNIERE REVISION.		DWN /DESSINE 03MAR2009 M. POLIFONTE	Tyco Electronics France SAS 95300 Pontoise, France	
DIMENSIONS: mm		CHK /VERIFIE 03MAR2009 E. CHATELUS	NAME TITRE	
TOLERANCES UNLESS OTHERWISE SPECIFIED: DIM. UNLESS OTHERWISE SPECIFIED: ±0.2 ANGLES ±5°		APVD /APPROUVE 03MAR2009 X. ROUILLARD	6W MQS PIN HOUSING POSITIVE MATE P-LANGUETTE 6 VOIES MQS AVALOIR	
MATERIAL /MATIERE PBT-GF20		PRODUCT SPEC 108-15311	SIZE FORMAT A2	RESTRICTED TO RESERVE A
		APPLICATION SPEC 411-15636	CAGE CODE 00779	
		WEIGHT MASSE APPROX. 2.8 gr	DRAWING NO No PLAN 1379118	
		CUSTOMER DRAWING /PLAN CLIENT	UNIQUEMENT POUR REFERENCE	SCALE ECHELLE 3:1
			SHEET FEUILLE 1	OF DE 2
			REV A	

THIS DRAWING IS UNPUBLISHED. / RELEASED FOR PUBLICATION / 2009
 DIFFUSION RESTREINTE / LIBRE A LA DIFFUSION

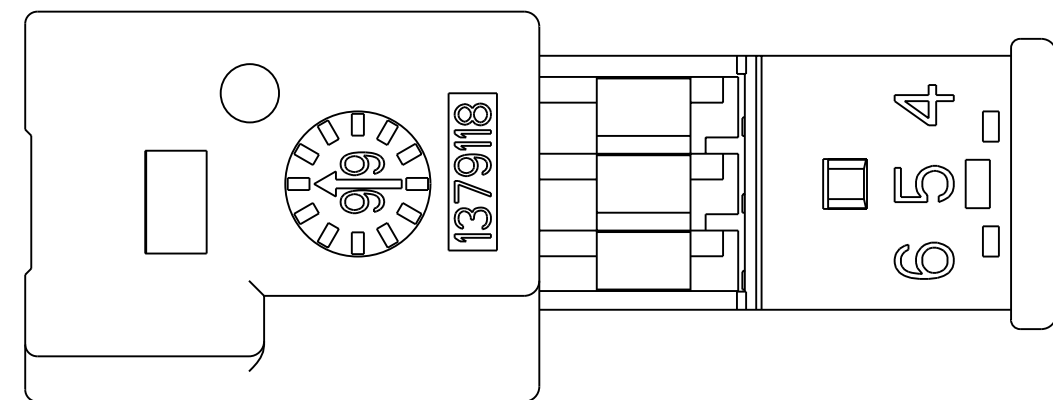
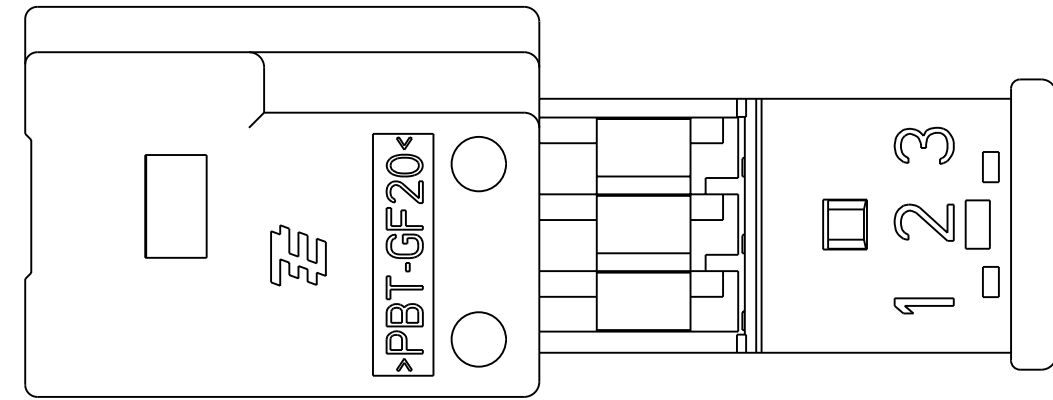
© COPYRIGHT 2009 BY TYCO ELECTRONICS CORPORATION. ALL RIGHTS RESERVED. / TOUS DROITS RESERVES

LOC	DIST	REVISIONS					
F	00	P	LTR	DESCRIPTION MODIFICATIONS	DATE	DWN DESS.	APVD APP.
		-		SEE SHEET 1			

VERSION WITHOUT FASTENER AERA
 version sans agrafe



SEE TABLE ON SHEET 1/2 voir tableau feuille 1/2	BROWN marron	1-1379118-4
SEE TABLE ON SHEET 1/2 voir tableau feuille 1/2	GREEN vert	1-1379118-3
SEE TABLE ON SHEET 1/2 voir tableau feuille 1/2	WHITE blanc	1-1379118-2
SEE TABLE ON SHEET 1/2 voir tableau feuille 1/2	BLACK noir	1-1379118-1
KEYING detrompage	COLOR couleur	TE PART NUMBER ref TE



THIS DRAWING IS A CONTROLLED DOCUMENT FOR TYCO ELECTRONICS CORPORATION. IT IS SUBJECT TO CHANGE AND THE CONTROLLING ENGINEERING ORGANIZATION SHOULD BE CONTACTED FOR THE LATEST REVISION. / CE PLAN EST UN DOCUMENT CONTROLÉ PAR TYCO ELECTRONICS. IL EST SUSCEPTIBLE D'ÊTRE REVISÉ. CONTACTER LE SERVICE TECHNIQUE DE TYCO ELECTRONICS POUR OBTENIR LA DERNIÈRE RÉVISION.		DWN / DESSINE M. POLIFONTE 03MAR2009	Tyco Electronics France SAS 95300 Pontoise, France	
DIMENSIONS: mm		CHK / VÉRIFIE E. CHATELUS 03MAR2009	NAME / TITRE 6W MQS PIN HOUSING POSITIVE MATE P-LANGUETTE 6 VOIES MQS AVALOIR	
TOLERANCES UNLESS OTHERWISE SPECIFIED: ±0.2		APVD / APPROUVE X. ROULLIARD 03MAR2009	SIZE / FORMAT A2	
MATERIAL / MATIÈRE PBT-GF20		PRODUCT SPEC. SPEC. PRODUIT	CAGE CODE / DRAWING NO 00779 / No PLAN	
FINISH / FINITION		APPLICATION SPEC. SPEC. APPLICATION	RESTRICTED TO RESERVE A	
		WEIGHT / MASSE APPROX. 2.8gr	UNIQUEMENT POUR RÉFÉRENCE	
		CUSTOMER DRAWING / PLAN CLIENT	SCALE / ÉCHELLE 3:1	
			SHEET / FEUILLE 2 OF / DE 2	
			REV A	