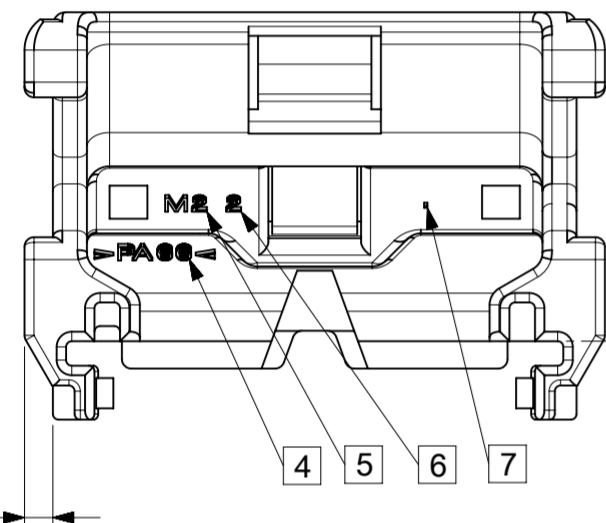
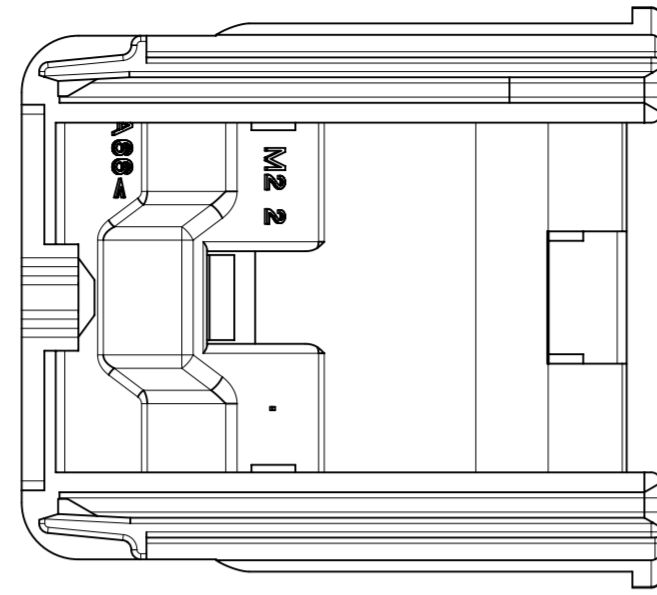


NOTES:

- 1- MATERIAL: PA 6.6 BLACK heat stabilized.
- 2- DELIVERED PRODUCT WEIGHT: 3.6g
- 3- RELATED COUNTERPART FEMALE CONNECTORS (32 WAYS, 22 WAYS).
- 4- ALL DIMENSIONS ARE TAKE OVER FROM THE 3D MODEL.

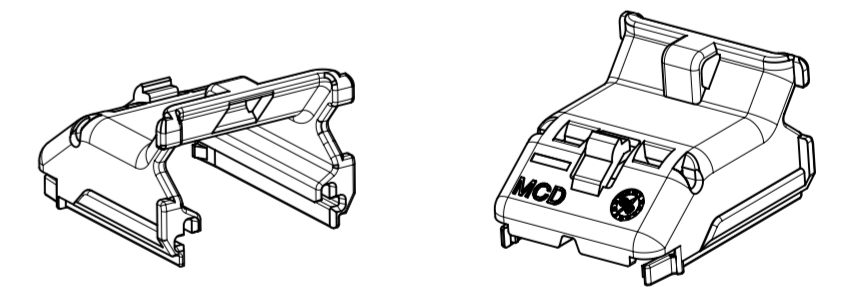
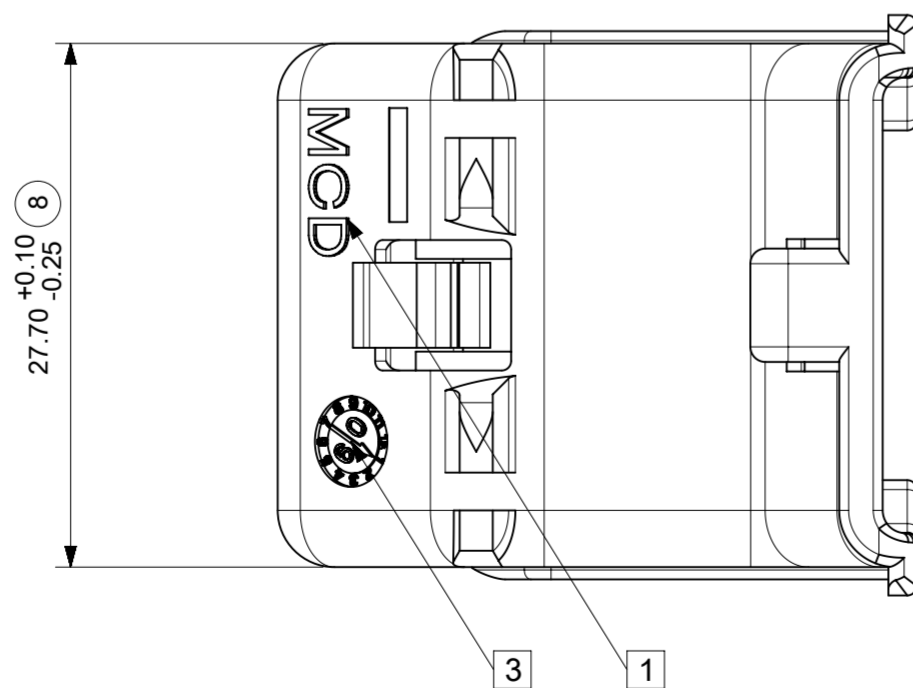
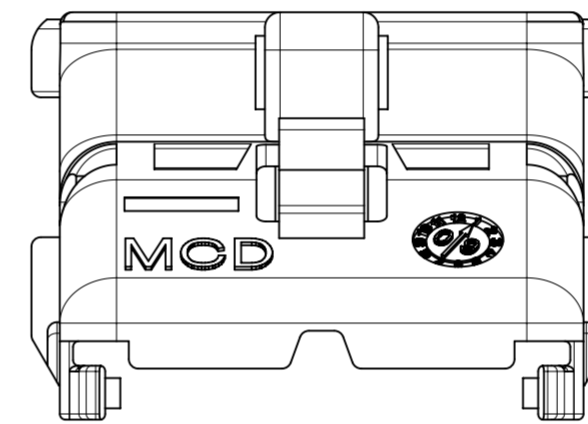
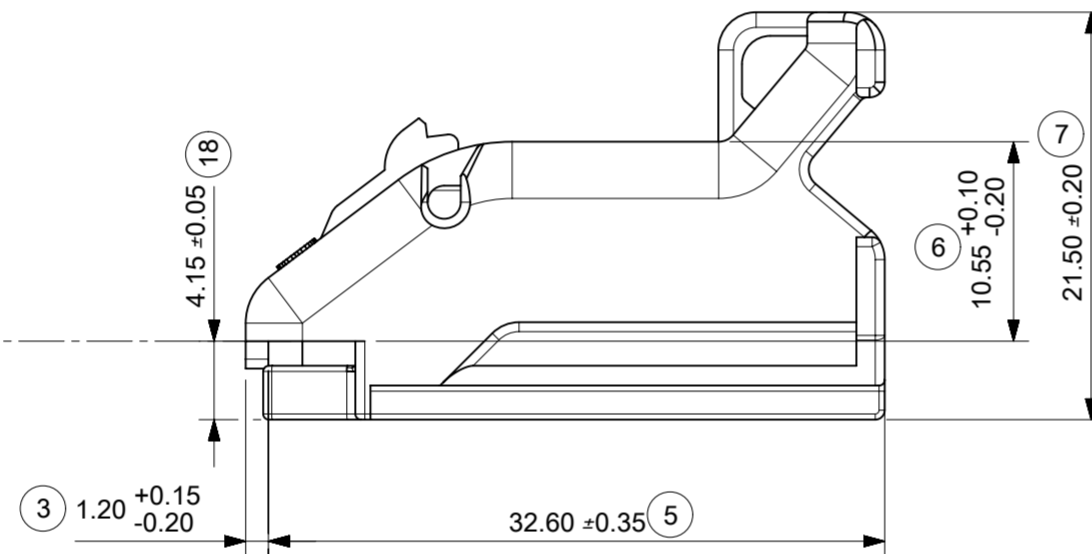
MARKINGS:

- 1 Supplier identification.
- 3 Date: MONTH/YEAR.
- 4 Material.
- 5 Mould identification M1 or M2.
- 6 Print identification (number).
- 7 Revision level



16 1.50 +0.20 -0.10

Ref. X



1:1

THIS DRAWING CONTAINS INFORMATION THAT IS PROPRIETARY TO MOLEX ELECTRONIC TECHNOLOGIES, LLC AND SHOULD NOT BE USED WITHOUT WRITTEN PERMISSION

DIMENSION UNITS	SCALE	CURRENT REV DESC: NX RE-MASTERING					
mm	2.5:1	<p>molex</p> <p>CMC WIRE CAP 32, 22 WAY MAT SEAL VERSION</p> <p>PRODUCT CUSTOMER DRAWING</p>					
GENERAL TOLERANCES (UNLESS SPECIFIED)							
ANGULAR TOL	± 0.0°						
4 PLACES	± 0.0						
3 PLACES	± 0.0						
2 PLACES	± 0.0	INITIAL REVISION:	DOCUMENT NUMBER	DOC TYPE	DOC PART	REVISION	
1 PLACE	± 0.0	DRWN: PGRANDCL	2013/04/15	SD-64319-002	PSD	001	D1
0 PLACES	± 0.0	APPR: CBOUCHAN	2014/02/03				
DRAFT WHERE APPLICABLE MUST REMAIN WITHIN DIMENSIONS	FIRST ANGLE PROJECTION	DRAWING	SERIES	MATERIAL NUMBER	CUSTOMER	SHEET NUMBER	
		A2-SIZE	64319	643191201	GENERAL MARKET	1 OF 1	