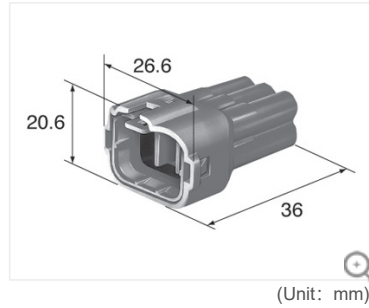


[How to choose connectors](#) [Notes on usage](#) [User Guide](#) [Catalogue PDF](#)

Product information



3D drawings

[Contact us for products](#)

6189-6171

*This is old series

MT sealed series

Housing Inline

2.3mm(090)

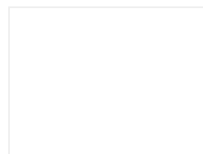
Sealed/Unsealed	sealed
Male/Female	M
Way	6
Mating parts	<u>6180-6181</u> (MT sealed series/HM sealed series)

Materials	66 Nylon
Color	Natural

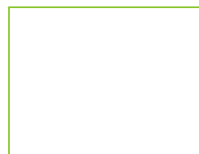
Contact resistance	Initial	3mΩ Max.
	after durability tests	10mΩ Max.
Leak current	100μA Max.	
Insulation resistance	100MΩ Min.	
Seal	Initial	49.0kPa Min.
	after durability tests	29.4kPa Min.

MT sealed series related products

Terminal (2)

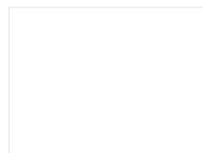


2.3mm 1500-0105



2.3mm 8230-4408

Wire seals (1)



2.3mm 7160-8234

Dummy plugs (1)

