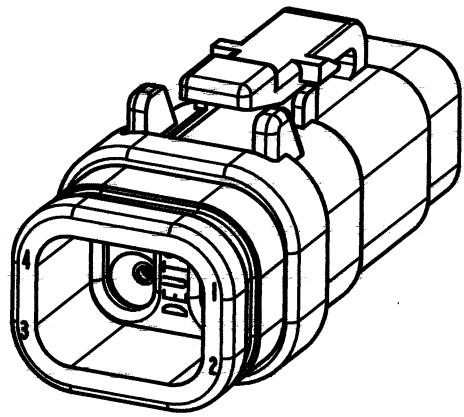
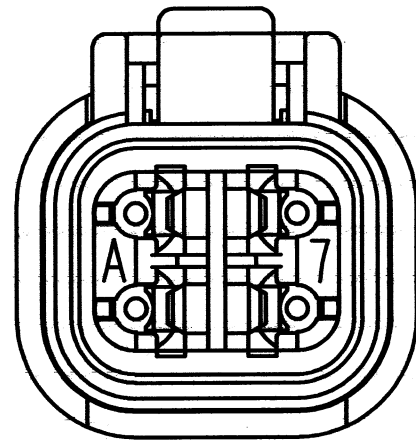
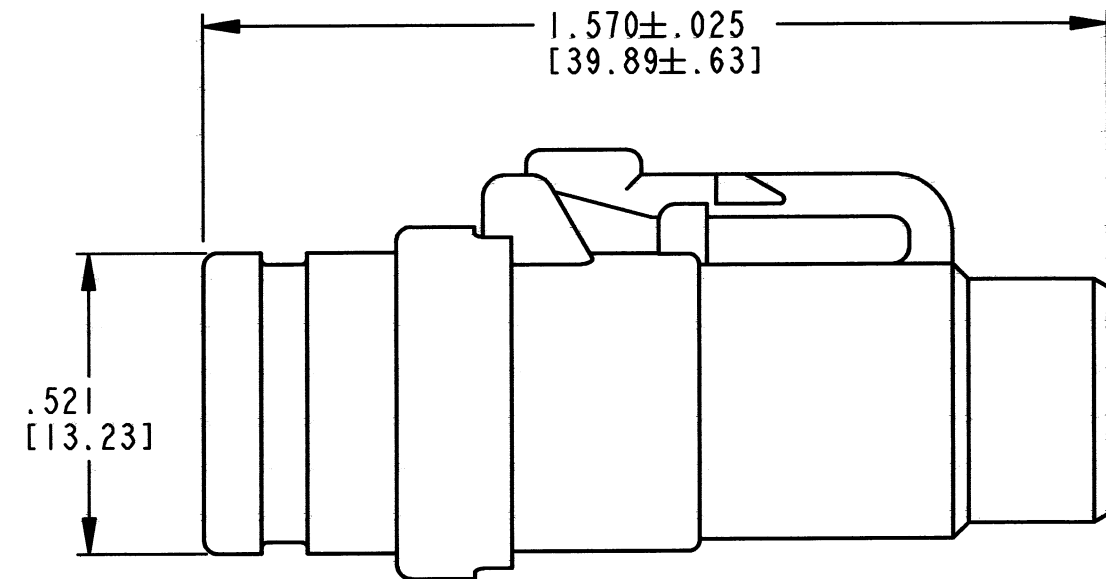
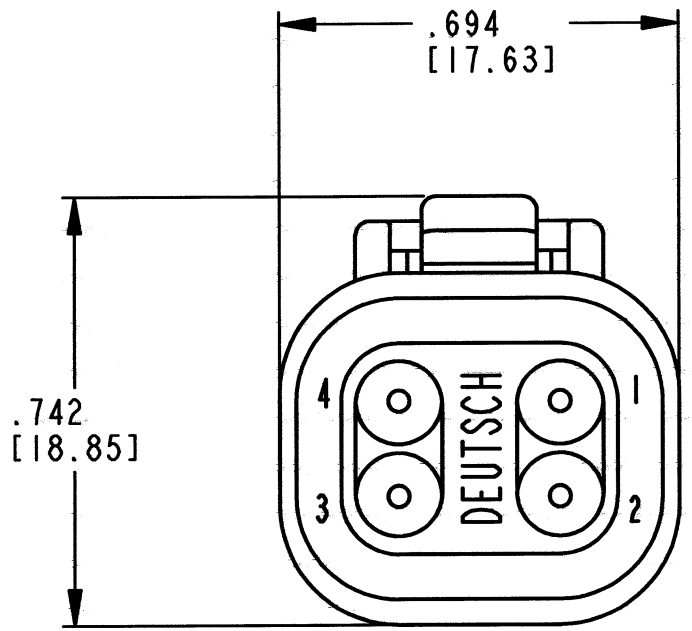
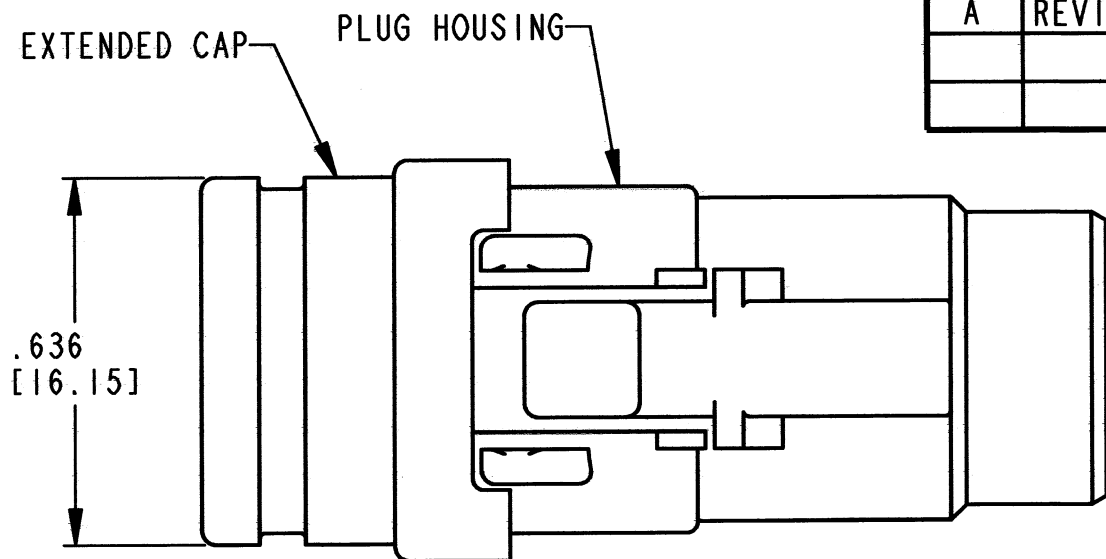


REV  
A DTM06-4S-E007

REVISIONS			
SYM	DESCRIPTION	DATE	APPROVED
NC	NEW RELEASE PER E.O. P16568	3-1-00	R.D.R.
A	REVISED PER E.O. P20687	3-25-11	<i>[Signature]</i>



**3-DIMENSIONAL VIEW**



- NOTES:
1. DIMENSIONS ARE IN INCHES [MILLIMETERS].
  2. DIMENSIONS ARE ±.025[0.63] UNLESS OTHERWISE SPECIFIED.
  3. FOR CONTACTS AND WIRE PERFORMANCE AND APPLICATION CHARACTERISTICS SEE ENVELOPE DRAWING 0425-015-0000 AND 0425-017-0000.
  4. THIS PLUG MATES WITH DTM04-4P-\*\*\*\* RECEPTACLE (\*\*\*\* = ALL MODIFICATIONS). CONSULT FACTORY FOR MODIFICATIONS.

SIGNATURE & DATE	
DR	S. THEIS 2/29/00
CHK	<i>[Signature]</i> 3/23/2011
PE	<i>[Signature]</i> 3/18/11
APPD	<i>[Signature]</i> 3/12/11
SCALE	NONE
WT	

4 WAY PLUG  
W/ EXTENDED CAP  
E007 MOD  
DTM SERIES

ENVELOPE

EP	MATL. CODE
3850 INDUSTRIAL AVE. HEMET, CA 92545	
<b>B</b>	<b>DTM06-4S-E007</b>
DWG SIZE	CODE 11139 SHEET   OF