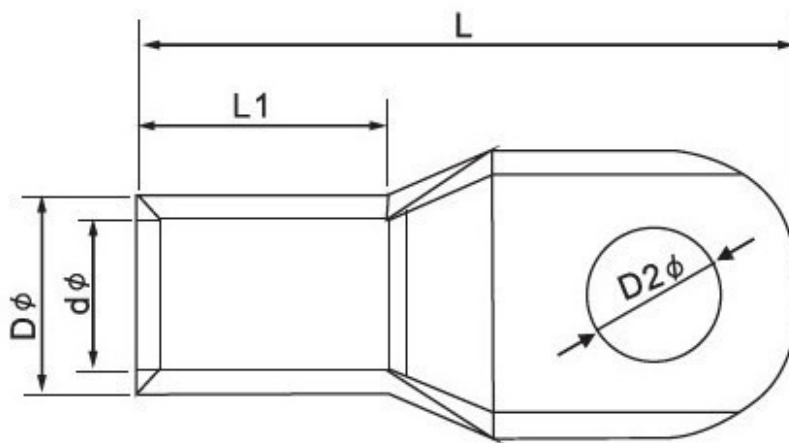




Tinned copper cable lugs



Item No	D2	B1	b	d	D	L1	L
SC2.5-4	4	6.5	0.8	2.3	4.1	7.3	18.9
SC4-4	4	6.6	1.1	2.8	4.3	7.3	19.8
SC4-5	5	6.6	1.1	3	4.7	7.3	19.8
SC4-6	6.2	8.4	1.1	3.1	4.8	7.5	20
SC6-5	5	6.7	1.3	3.9	5.7	9.3	24.1
SC6-6	6.3	8.5	1.3	4.4	5.9	8.9	24.4
SC6-8	8.2	11.5	1.3	4.6	6	8.9	24.4
SC10-6	6	9.5	1.3	5.1	6.8	9.2	25.8
SC10-8	8.2	12.5	1	4.9	6.7	11	27
SC10-10	10.2	12.8	1.3	5.2	6.9	11.1	27.3
SC10-12	12.2	12.9	1.4	5.5	7.1	11.1	27.3
SC16-6	6.3	10.6	1.7	5.5	7.5	11.8	29.8
SC16-8	8.2	11.7	1.6	5.5	7.6	12.4	29.8
SC16-10	10.2	13.6	1.4	5.6	7.6	12.5	30.5
SC16-12	12.2	13.9	1.7	5.6	7.7	12.7	30.7
SC25-6	6	12.9	2	7	9	12.5	33.2

Item No	D2	B1	b	d	D	L1	L
SC25-8	8	13	2	6.8	9	12.6	33
SC25-10	10.1	14.3	1.7	7.1	9	12.4	33.8
SC25-12	12.3	17.2	1.8	7.7	9.9	12.8	35.6
SC35-6	6.2	15.6	3	8	11.2	17.3	39.9
SC35-8	8.1	15.2	2.1	8	10.4	16	37.1
SC35-10	10.1	15.4	1.9	8.4	10.5	14.4	38.8
SC35-12	12.3	16.5	1.9	8.2	10.6	14.7	38.4
SC50-8	8.3	18.4	2.1	10.2	12.4	16	43.2
SC50-10	10.2	17.6	2.2	9.6	12	16.8	42.6
SC50-12	12.3	18.1	2.2	10	12.5	15.3	43.1
SC70-8	8.3	21.1	2.8	11.8	14.7	17.9	49.2
SC70-10	10.3	21.3	2.6	11.8	14.4	19.7	50.9
SC70-12	12.3	21.3	2.6	11.8	14.5	18.8	48.6
SC95-8	8.2	24.1	2.8	13.1	16.7	20.3	54.1
SC95-10	10.1	24.7	3	13.4	16.8	22.2	54.3
SC95-12	12.3	24.9	3.3	13.8	17	20.3	55.5
SC95-16	16.3	25.6	3.5	14	17.2	22	55.8
SC120-8	8.3	27.3	3.8	15	19	22.7	62.3
SC120-10	10.3	27.4	3.8	15.3	18.9	23.9	64
SC120-12	12.3	28.5	3.6	15.8	19.6	26.3	60.7
SC120-14	14.3	27.5	3.5	15.1	18.6	23.5	60.1
SC120-16	16.3	27.5	3.2	15.1	18.6	23.5	60.1
SC150-10	10.2	27.9	3.5	16.5	20.3	25.4	64.7
SC150-12	12.2	30.7	3.9	17.2	20.7	25.4	64.7
SC150-14	14.3	29.7	3.9	16.5	20.4	33	68.5
SC150-16	16.3	30.1	4.4	17.2	21.2	33.1	73.9
SC185-14	16.3	34.6	4.8	18.5	23.6	33.3	79.6
SC185-16	16.3	35	4.9	18.9	23.9	33.7	79.8
SC240-16	16.3	38.2	4.4	24.5	26	32.2	80.3
SC300-16	16.8	43.9	5.6	24.5	30.1	41	99.4